

WTT-V WTR-V SERIES

Watertight VoIP Telephones



WTT-30-V



Optional
key-lockable
latch

WTT-40-V

WTR-11-V

WTR-41-V

WTT-V WTR-V SERIES OUTDOOR/INDOOR INDUSTRIAL VoIP NON-HAZARDOUS TELEPHONES

- WTT-30-V - Metal Keypad/Volume Control Handset/Curly Cord
- WTT-40-V - Metal Keypad/Volume Control Handset/ Armored Cord/Mounting Plate
- WTR-11-V - Volume Control Handset/Curly Cord
- WTR-41-V - Volume Control Handset/ Armored Cord/Mounting Plate

FEATURES and BENEFITS

- "Full" duplex operation
- PoE 802.3af enabled (Power-over-Ethernet) or alternate power source
- Compatible with SIP-based IP-PBX servers that comply with SIP (RFC 3261). (Refer to the Guardian VoIP web page for a list of certified servers)
- Network web management interface
- Guardian Discovery Utility makes it easy to detect, locate and launch the web based configuration screens
- Product self diagnostic testing available through web interface
- Network adjustable speaker volume and microphone sensitivity
- Configurable Auxiliary relay to control external devices
- Network downloadable firmware
- Remote programming – Configure and manage the phone from a central location
- Corrosion protected and powder coated steel, full gasket faceplate
- WTT-V models have metal keypads for extended life
- Vandal resistant armored handset cord with lanyard on WTT-40-V & WTR-41-V models
- Heavy duty G Type industrial handset
- Integrated mounting feet
- Handset retainers to maintain on-hook status
- Spring loaded door
- Drill guides provided for top & bottom mount glands
- Electret noise reducing microphone for clear communication
- Operating temperature range -40° to +140°F (-40° to +60°C)
- Water/dust-tight thermoplastic resin enclosure, Type 4X & IP66
- Waterproof connections & stainless steel fittings for longer life
- Magnetic reed hook switch to reduce parts subject to wear
- Modular parts for easy service
- Hearing aid compatible & receiver volume adjustment

WTT-V WTR-V SERIES

Guardian's WTT-V/WTR-V SERIES Water Tight Industrial Telephone Series offer maximum efficiency under extreme environmental conditions.

The sturdy thermoplastic resin enclosure protects the internal circuitry against wind blown dust, rain, corrosion, splashing and high pressure water.

With Type 4X & IP66 ratings these are ideal telephones for harsh conditions.

APPLICATIONS

Guardian's WTT-V & WTR-V telephones are top of the line telephones for use in the most extreme conditions such as:

All Outdoor Locations
Public Safety Purposes
Highway Call Boxes
Construction Sites
Parking Structures
Greenhouses

Public Access Areas
Food Processing Plants
Outdoor Sporting Facilities
Industrial Facilities
University Campuses
Plant Entry Gates

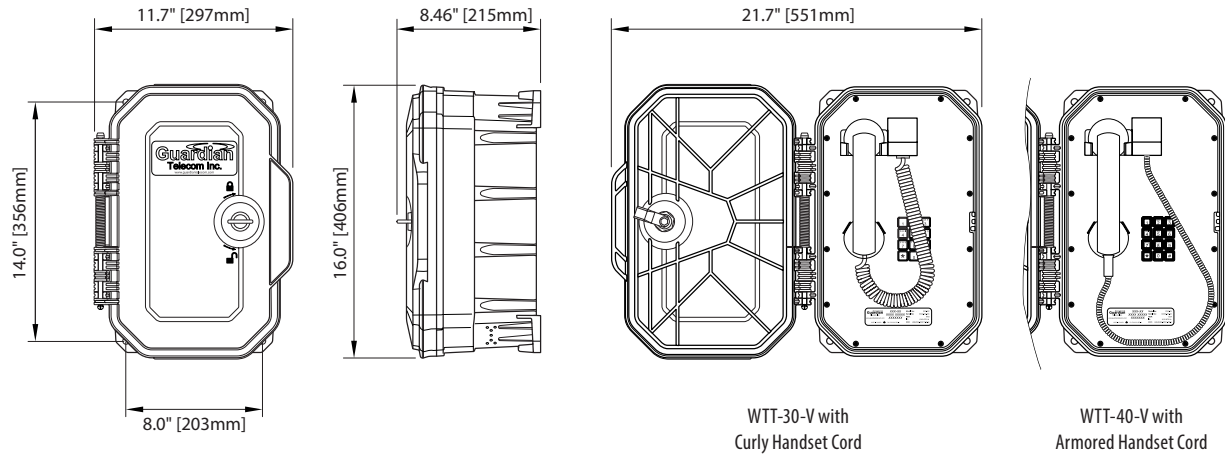
Public Transit
Sewage Plants
Parks
Tunnels
Waterfronts
and more ...



tough. trusted. true.



OVERALL DIMENSIONS



WTT-V Series Watertight VoIP Telephones • WTR-V Series Watertight VoIP Ringdown Telephones

ENGINEERING SPECIFICATIONS

ELECTRICAL PERFORMANCE

Network Rate	10/100 Mbps
Protocol	SIP (RFC 3261 Compliant)
Codecs Supported:	G.711 (Mu-law) G.711 (A-law) G.729.1 (G729) and (G729EV) G.722.1 (SIREN7) G.722.2 (AMR-WB)

ELECTRICAL REQUIREMENTS

Power Requirements	Switch OR via POE Injector.
Method 1 – Thru LAN: POE 802.3af (44-57V)	24VDC @ 1A
Method 2 – External PS:	0.5A @ 30VDC
Auxiliary Relay	

MECHANICAL SPECIFICATIONS

Hook Switch (Cradle Switch) Life	>1 000 000 Operations
Body Construction	Thermoplastic Resin
Faceplate	Corrosion Protected & Powder Coated
Net Weight	11.8 lbs (5.4 kg)
Shipping Weight	14.0 lbs (6.3 kg)
Shipping Dimensions (L x W x D)	20.0" x 15.0" x 12.0" (508 x 381 x 305 mm)
Hand Set Construction	High Impact Polycarbonate
Mounting	Vertical Wall
Microphone	Noise Reducing Electret
Receiver	Hearing Aid Compatible
Hardware Material	Stainless Steel
Connection Fittings	Up to 4 Drill Guides for Gland Support

ENVIRONMENTAL

Water/Dust Tight Enclosure	Type 4X & IP66
Operating Temperature	-40° to +140°F (-40° to +60°C)
Storage Temperature	-58° to +176°F (-50° to +80°C)

COMPLIANCE

FCC	Part 15 [†] , Class A
IC	ICES-003 CLASS A
IEC	CISPR 22: 2008 61000-6-2: 2005



[†] This device complies with Part 15 of the FCC Rules. Operation is subject to the following two conditions: (1) This device may not cause harmful interference, and (2) this device must accept any interference received, including interference that may cause undesired operation.

ORDERING INFORMATION

Warranty: Five years parts and labor

Order No.	Description
P5308	WTT-30-V Watertight Telephone/Metal Keypad/Curly Handset Cord
P5309	WTT-40-V Watertight Telephone/Metal Keypad/Armored Handset Cord
P5310	WTR-11-V Watertight Ringdown Telephone/Curly Handset Cord
P5311	WTR-41-V Watertight Ringdown Telephone/Armored Handset Cord

Options	
CC	Conformal Coated Circuit Board
NC	Noise Canceling Microphone
LCK-WTE	Locking Door
VR-WTE	Vandal Resistant Faceplate Screws
Choice of enclosure colors*	
Custom embossed logo or smooth face for label*	

* minimum quantity required – consult with sales agent

Distributed by:



GUARDIAN TELECOM LTD.
Calgary, Alberta, Canada
Telephone: 403 258 3100 Facsimile: 403 255 2595
1 800 363 8010 (North America)
info@guardiantelecom.com | www.guardiantelecom.com

