



P-AM300GCX & P-AM302GCX

Federal Signal Models P-AM300GCX and P-AM302GCX are rugged, transformer coupled, re-entrant speakers for use in public address or paging applications. These speakers feature rugged cones and projectors constructed of spun aluminum. The wiring connections are enclosed in a dust- and moisture-proof, die-cast aluminum compartment. All external surfaces are finished with a gray powder coat paint.

Power handling for the P-AM300GCX is 15 watt and the P-AM302GCX is rated for 30 watt. There are transformer taps at 15, 9, 3 and 1.5 watt in the P-AM300GCX and 30, 15 and 9 watt in the P-AM302GCX.

Both speakers are designed for use in 25 or 70 Vrms distributed systems. Both models are UL and CUL Listed for Class 1, Division 2, Groups A, B, C, and D; Class II, Division 2, Groups F & G; and Class III environments. The design and seal of the speaker assembly and housing have been tested and approved by UL for Type 4X requirements.

Four screws inserted through the metal tabs located at the side of the housing make for a simple wall mount. The bottom of these speakers contains two 1/2-inch conduit openings in the base of the housing to accommodate inbound and outbound audio wiring. The unique shape of the speaker projectors provides an impressive 60° sound dispersion pattern.

The projectors are held in position with a Teflon coated lock ring that can be rotated 180° in order to obtain the desired sound distribution.

The P-AM300GCX and the P-AM302GCX can be used with the AudioMaster® CTS series amplifiers and the AudioRouter™ to complete an industrial grade public address system.

Division 2 Re-entrant Speakers

- Rated for Class I, Division 2; Class II, Division 2; Class III
- Transformer coupled
- 15 watt (P-AM300GCX)
- 30 watt (P-AM302GCX)
- 25 or 70 Vrms
- Re-entrant horn design
- Wall mount
- 1/2-inch conduit openings
- Type 4X enclosure
- External mounting tabs
- UL 1480 and CSFM Approved
- AM300GCX is UL Fire Listed
- Five Year Warranty

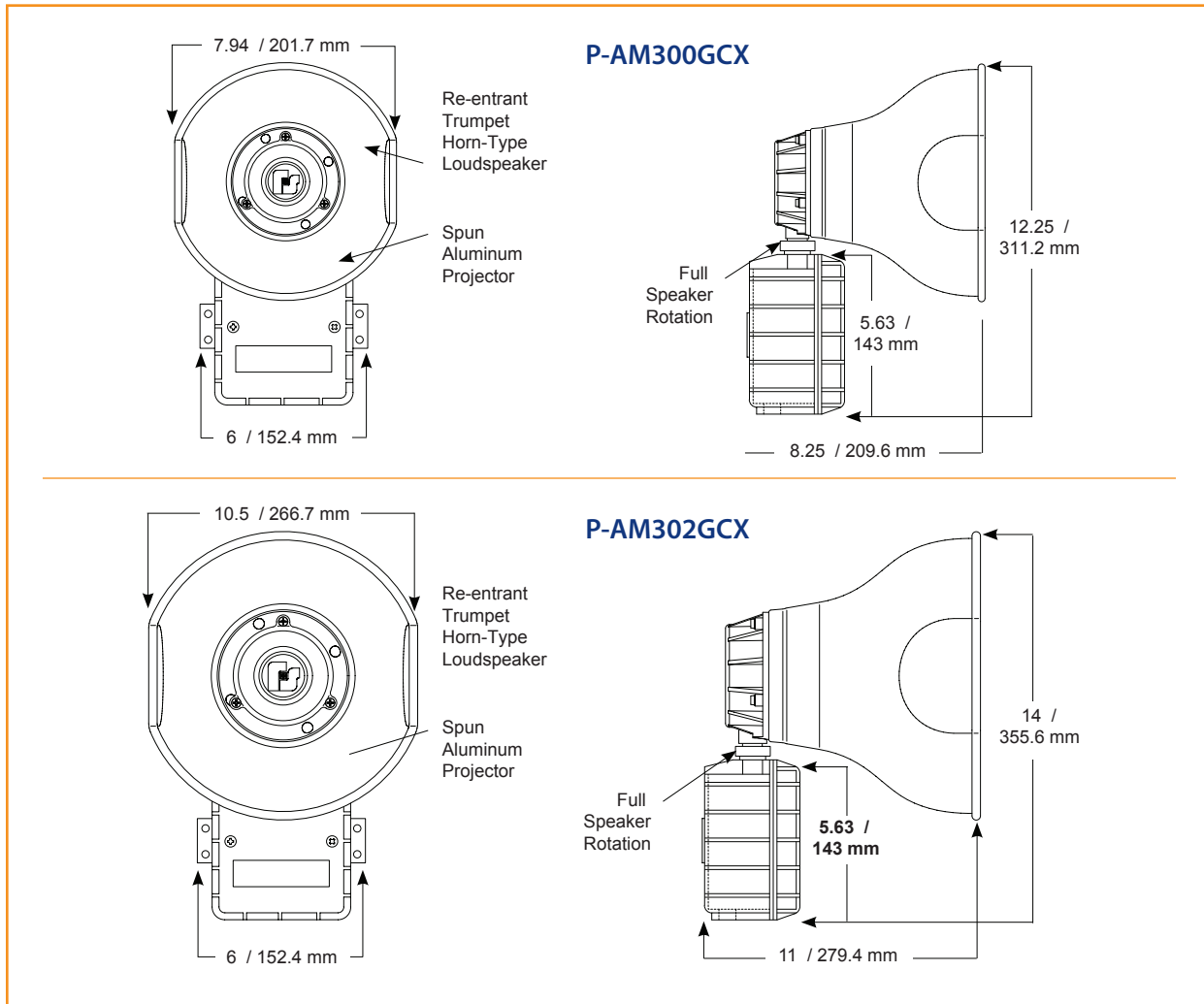
	P-AM300GCX	P-AM302GCX
Power Handling	15 watt	30 watt
Frequency Response	600-5000Hz	400-4000Hz
Transformer	25/70 Vrms	25/70 Vrms
Power Taps	15, 9, 3, 1.5	30, 15, 9
Beam Width	60°	60°
Decibels @		
10'	110	114
1m	120	124



Guardian Telecom is proud to be a supplier of Federal Signal loudspeakers. Federal Signal brings decades of specialized industry and application experience to safety, security and effective communications for the most hazardous environments and demanding applications. For off the shelf stock items to tailored products, contact a Guardian sales representative to discuss your specific project needs and the equipment that will meet your demands.

The Manufacturer reserves the right to alter specifications without notice.





Specifications

	P-AM300GCX	P-AM302GCX
Net Weight:	4.85 lbs (2.2 kg)	7.2 lbs (3.3 kg)
Shipping Weight:	6.0 lbs (2.72 kg)	8.1 lbs (3.67 kg)
Height:	12.25" (311.2 mm)	14.0" (355.6 mm)
Width:	7.94" (201.7 mm)	10.5" (266.7 mm)
Depth:	8.25" (209.6 mm)	11.0" (279.4 mm)

The Manufacturer reserves the right to alter specifications without notice.

Ordering

When ordering specify model number.



GUARDIAN TELECOM LTD.
 Calgary, Alberta, Canada
 Telephone: 403 258 3100 Facsimile: 403 255 2595
 1 800 363 8010 (North America)
 info@guardiantelecom.com | www.guardiantelecom.com

