



Alarm Sounders & Beacons

Metal & ABS

P-BExCS110-05 P-BExDCS110-05

Flameproof P-BExCS110-05 combination alarm sounders and Xenon beacons are suitable for Zone 1 & Zone 2 applications. P-BExDCS110-05 versions are also suitable for Zone 21 & 22.

Sound level outputs are up to 117dB(A) at 3.28' (1 m) with a choice of 32 alarm tones and 3 remotely selectable stages. Sounder & Beacon may be connected from a single supply for simultaneous operation or from separate supplies for independent operation.



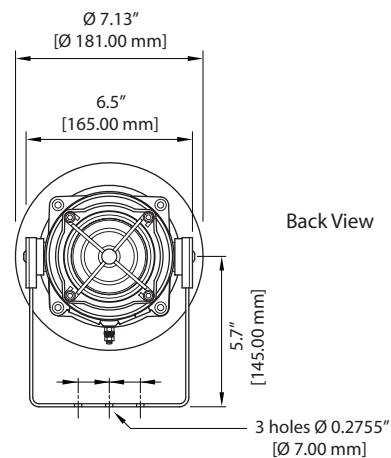
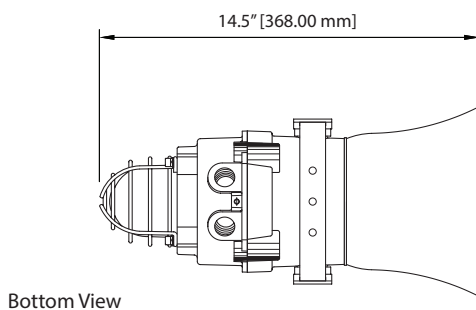
Features

- Automatic synchronization on multi-beacon & sander systems.
- Beacons can be set to 'flip-flop' alternating mode with other units on multi-beacon systems.
- Xenon tubes mechanically secured against shock & vibration
- Ratchet adjustable stainless steel 'U' bracket.
- 'Programmable' version available:
 - 45 alarm tones
 - 4 remotely selectable stages
 - Any tone can be assigned to any stage
 - User configurable continuous frequency tone

Approvals

- ATEX certificate: KEMA 01ATEX2223X, EN 60079-0 : 2006, EN 60079-1 : 2007, EN 61241-0 : 2006, EN 61241-1 : 2004
- IECEx certificate: IECEx KEM 10.0025, IEC 60079-0 : 2004 (Ed4), IEC 60079-1 : 2007 (Ed6), IEC 61241-0 : 2004 (Ed1), IEC 61241-1 : 2004 (Ed1)
- GOST-R certificate: POCC GB.JB05.B02205

P-BExCS110-05 & P-BExDCS110-05



Formed in 1992, E2S, European Safety Systems specializes in the design, development and manufacture of high performance electronic sounders, intelligent voice annunciators and flash alarms for industrial, heavy duty, marine and hazardous environments. For off the shelf stock items to tailored products, contact a Guardian sales representative to discuss your specific project needs and the equipment that will meet your demands.



tough. trusted. true.



Specifications

Sounder/Horn

Maximum output	117dB(A) @ 1 metre
Nominal output	110dB(A) @ 1m +/- 3dB - Tone 2
No. of tones	32 (UK00A / PFEER compliant)
No. of stages	3
Volume control	Max. 110dB(A); Min. 72dB(A) - Tone 2
Effective range	100m @ 1KHz
Voltages DC	12vdc; 24vdc; 48vdc
Voltages AC	115vac; 230vac
Stage switching	Negative or positive

Beacon

Energy	5 Joules (5Ws)
Flash rate	1Hz (60 fpm)
Peak Candela	34,812 cd
Effective Intensity	cd: 105 cd*
Lens colors	Amber, Blue, Clear, Green, Red & Yellow
Tube life	Emissions are reduced to 70% after 8 million flashes

General

Ingress protection	IP66 & IP67
Housing material	Marine grade copper free LM6 Aluminum
Housing finish	Phosphated & powder coated
P-BExCS110-05 flare	High impact UL94V0 & 5VA FR ABS (Red)
P-BExDCS110-05 flare	Anti-Static High impact ABS (Black)
Cable entries	Dual M20 ISO (one stopping plug included)
Terminals	0.5 to 4.0 mm ² cables
Line monitoring	Min. 500 Ohm 2w, or 3k3 Ohm 0.5w res or diode (dc versions)
Weight	DC: 4.80kg AC: 5.00kg

Effective Candela lens color factor

Amber	Blue	Clear	Green	Red	Yellow
0.51	0.12	1.00	0.49	0.15	0.86

Stage 1 Frequency Description

Stage 1	Frequency Description	dB @ 1m*	Stage 3	Stage 3
Tone 1	1000 Hz Continuous - PFEER Toxic Gas	110.0dB(A) @ 1m	Tone 31	Tone 11
Tone 2	800/1000Hz @ 0.25 sec Alternating	110.0dB(A) @ 1m	Tone 17	Tone 5
Tone 3	500/1200Hz @ 0.3Hz 0.5 sec Slow Whoop	110.5dB(A) @ 1m	Tone 2	Tone 5
Tone 4	800/1000Hz @ 1Hz Sweeping	110.0dB(A) @ 1m	Tone 6	Tone 5
Tone 5	2400Hz Continuous	109.0dB(A) @ 1m	Tone 3	Tone 27
Tone 6	2400/2900Hz @ 7Hz Sweeping	109.0dB(A) @ 1m	Tone 7	Tone 5
Tone 7	2400/2900Hz @ 1Hz Sweeping	110.0dB(A) @ 1m	Tone 10	Tone 5
Tone 8	500/1200/500Hz @ 0.3Hz Sweeping	110.5dB(A) @ 1m	Tone 2	Tone 5
Tone 9	1200/500Hz @ 1Hz - DIN / PFEER P.T.A.P.	110.5dB(A) @ 1m	Tone 15	Tone 2
Tone 10	2400/2900Hz @ 2Hz Alternating	109.0dB(A) @ 1m	Tone 7	Tone 5
Tone 11	1000Hz @ 0.5Hz Intermittent	110.0dB(A) @ 1m	Tone 31	Tone 1
Tone 12	800/1000Hz @ 0.875Hz Alternating	110.0dB(A) @ 1m	Tone 4	Tone 5
Tone 13	2400Hz @ 1Hz Intermittent	109.0dB(A) @ 1m	Tone 15	Tone 5
Tone 14	800Hz 0.25sec on, 1 sec off Intermittent	103.0dB(A) @ 1m	Tone 4	Tone 5
Tone 15	800Hz Continuous	103.0dB(A) @ 1m	Tone 2	Tone 5
Tone 16	660Hz 150mS on, 150mS off Intermittent	104.0dB(A) @ 1m	Tone 18	Tone 5
Tone 17	544Hz (100mS)/440Hz (400mS) - NF S 32-001	107.0dB(A) @ 1m	Tone 2	Tone 27
Tone 18	660Hz 1.8sec on, 1.8sec off Intermittent	105.0dB(A) @ 1m	Tone 2	Tone 5
Tone 19	1.4KHz-1.6KHz 1s, 1.6KHz-1.4KHz 0.5s -NFC48-265	117.0dB(A) @ 1m	Tone 2	Tone 5
Tone 20	660Hz Continuous	104.0dB(A) @ 1m	Tone 2	Tone 5
Tone 21	554Hz/440Hz @ 1Hz Alternating	107.0dB(A) @ 1m	Tone 2	Tone 5
Tone 22	544Hz @ 0.875 sec. Intermittent	107.0dB(A) @ 1m	Tone 2	Tone 5
Tone 23	800Hz @ 2Hz Intermittent	103.0dB(A) @ 1m	Tone 6	Tone 5
Tone 24	800/1000Hz @ 50Hz Sweeping	107.0dB(A) @ 1m	Tone 29	Tone 5
Tone 25	2400/2900Hz @ 50Hz Sweeping	109.0dB(A) @ 1m	Tone 29	Tone 5
Tone 26	Bell	117.0dB(A) @ 1m	Tone 2	Tone 1
Tone 27	554Hz Continuous	107.0dB(A) @ 1m	Tone 26	Tone 5
Tone 28	440Hz Continuous	104.0dB(A) @ 1m	Tone 2	Tone 5
Tone 29	800/1000Hz @ 7Hz Sweeping	106.0dB(A) @ 1m	Tone 7	Tone 5
Tone 30	A52220: 420Hz repeating 0.625 sec on, 0.625 sec off.	104.0dB(A) @ 1m	Tone 32	Tone 5
Tone 31	660/1200Hz @ 1Hz Sweeping	110.5dB(A) @ 1m	Tone 11	Tone 1
Tone 32	A52220: 500-1200Hz 3.75s on 0.25s off (15 cycles/min)	110.5dB(A) @ 1m	Tone 26	Tone 1

Current Consumption

Version:	Alarm Sounder		Xenon Beacon	
	Voltage range	Current:	Voltage range	Current:
12V dc	+/- 25%	195mA	10-14V	750mA
24V dc	+/- 25%	265mA	20-28V	300mA
48V dc	+/- 25%	130mA	42-54V	180mA
115V ac 50/60Hz	+/- 10%	110mA	+/- 10%	140mA
230V ac 50/60Hz	+/- 10%	56mA	+/- 10%	55mA

ORDERING INFORMATION

Part Code	Classification	
P-BExCS11005D**	ATEX / IECEx II 2G Ex d IIB T4 Ta. -50° to +70° C	GOST-R 1ExdIIBT4 Ta. -50° to +55° C
P-BExDCS11005D**	ATEX / IECEx: II 2G Ex d IIB T4 Ta. -50°C to. +70°C II 2D Ex tD A21 IP67 T115°C based on max Ta. of +70°C	GOST-R 1ExdIIBT4 Ta. -50° to +55° C DIP A21 Ta T5

** = Voltage reference:
Options: 12DC, 24DC, 48DC, 115AC, 230AC Add '-P' to part number for Programmable Version

OEM note: No liability is accepted for any consequence of the use of this document. The technical specification of this unit is subject to change without notice due to our policy of continual product development. All dimensions are approximate. This unit is sold subject to our standard conditions of sale, a copy of which is available on request.



GUARDIAN TELECOM LTD.
Calgary, Alberta, Canada

Telephone: 403 258 3100 Facsimile: 403 255 2595
1 800 363 8010 (North America)

info@guardiantelecom.com | www.guardiantelecom.com

