

# DTT-V-H SERIES Industrial Desk / Wall Telephones



DTT-60-V-H  
with armored  
cord



DTT-50-V-H  
configured for  
desktop



DTT SERIES has  
optional push to  
talk PTT handset

## DTT-V-H SERIES INDUSTRIAL VOIP HAZARDOUS TELEPHONES

- DTT-50-V-H - Silicone Keypad/Handset/Heavy duty Curly Cord
- DTT-60-V-H - Silicone Keypad/Handset/Armored Cord

## FEATURES and BENEFITS

- PoE 802.3af enabled (Power-over-Ethernet) or alternate power source
- Compatible with SIP RFC 3261 compliant IP-PBX and Cloud based servers
- Auxiliary Relay to control external devices with multiple control modes (Refer to document P007402 – VoIP Setup and Configuration Guide)
- Network web management
- Guardian Discovery Utility makes it easy to detect, locate and launch the web based configuration screens
- Web Interface provides full configuration over device. Some key features include:
  - Handset Volume and Microphone default level settings
  - Relay activation management.
  - Call timers/
  - Event Management – Real Time Monitoring.
  - Product Updates.
  - Product Automated configuration
- High impact thermoset resin industrial housing and ergonomic heavy duty handset – IP-66 compliant
- Back-lit LCD display – 2 line x 16 character: English, French or Spanish
- Reversible base for desktop or wall mount configurations
- Optional Push To Talk (PTT) switch in handset to manually enable microphone.
- Audio modes – handset and hands-free speaker phone or optional headsets. Note: when the optional headset is used the speaker phone feature is not available
- Corrosion resistant hardware
- Noise canceling microphone
- Magnetic reed hook switch to reduce parts subject to wear
- Service temperature range from -22° to +140°F ( -30° to +60°C)
- Removable handset retainer latches on cradle
- Large urethane coated watertight silicon keypad
- Autodial, memory, mute and menu configuration keys
- Programmable auto hang-up timer
- Hearing-aid compatible (HAC) receiver
- Heavy duty curly handset cord on DTT-50-V-H or vandal resistant armored handset cord on DTT-60-V-H models
- Built in auxiliary relay to switch up to 0.5A @ 30VDC
- Two M20 and one M12 gland entries
- Field repairable by authorized personnel

## DT RANGE OF TELEPHONES

Guardian's DT RANGE are desk and wall mounted industrial telephones designed to provide safe, reliable communication in industrial areas that are prone to harmful environments, where consumer phones are not suitable. Dust and Corrosion resistant.

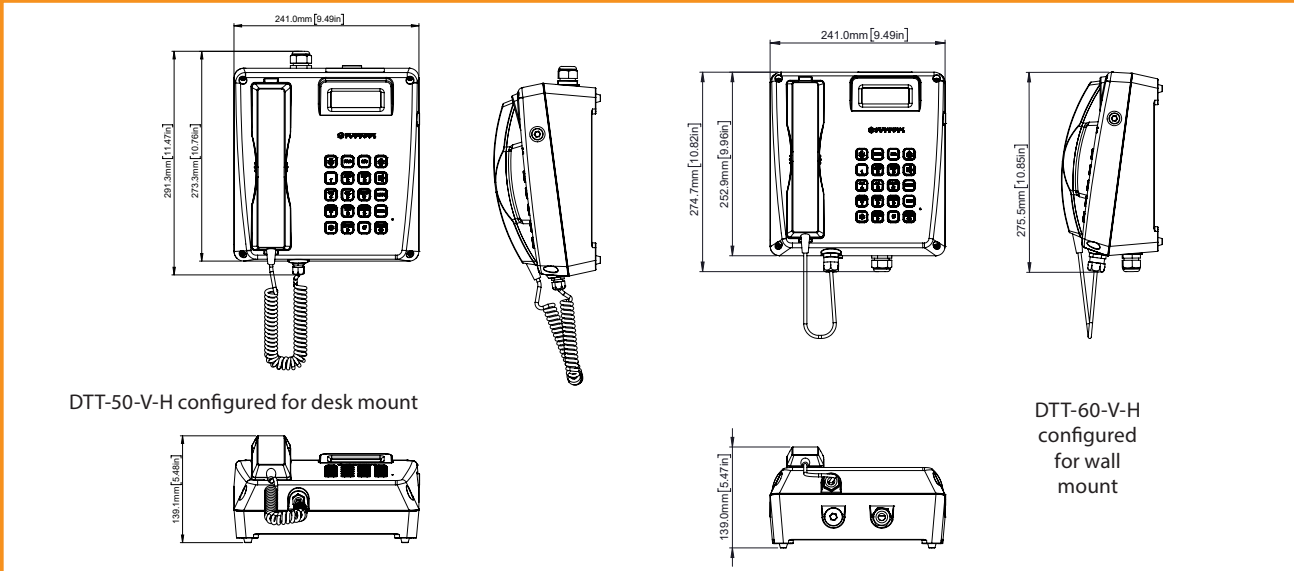
## DTT-V-H SERIES OF TELEPHONES

Guardian's DTT-V-H SERIES telephone are Type 4X, IP66 weather rating without being housed in a separate enclosure. High impact thermoset resin industrial housing and ergonomic heavy-duty handset. These models are suitable for demanding applications indoors and outdoors.

## APPLICATIONS

Refineries	Sewage Plants
Power Generation Facilities	Drilling Rigs
Pulp and Paper Mills	Hydroelectric Facilities
Food Processing Plants	Warehouses
Chemical Plants	Mines
Material Sites	Greenhouses
Cement Plants	and more . . .

## OVERALL DIMENSIONS



DTT-50-V-H configured for desk mount

DTT-60-V-H configured for wall mount

## DTT-V-H Series Hazardous Area Industrial Desk/Wall IP Telephones

## ENGINEERING SPECIFICATIONS

### ELECTRICAL PERFORMANCE

Network Rate  
SIP Compliance  
Codecs Supported

10/100 Mbps  
SIP (RFC 3261 Compliant)  
G.711 (Mu-law)  
G.711 (A-law)  
G.729.1 (G729) and (G 729EV)  
G.722.1 (SIREN7)  
G.722.2 (AMR-AB)

### ENVIRONMENTAL

Corrosion Resistant & Dustproof  
Operating Temperature  
Ingress Protection Rating  
Humidity

Full Gasket Faceplate  
-22° to +140°F (-30° to +60°C)  
IP66  
0 to 95% RH

### ELECTRICAL REQUIREMENTS

Power Requirements

METHOD 1 - Thru LAN: POE 802.3 af (44-57V)  
METHOD 2 - External PS:

Switch OR via POE Injector  
24VDC @ 1A

Auxiliary Relay

1.0A @ 30V

### COMPLIANCE

UL/CUL  
FCC  
IC

Class I, Division 2, Groups A, B, C and D  
Part 15<sup>†</sup>, Class A  
ICES-003 CLASS A  
CISPR 22: 2008  
61000-6-2: 2005

IEC



<sup>†</sup> This device complies with Part 15 of the FCC Rules. Operation is subject to the following two conditions: (1) This device may not cause harmful interference, and (2) this device must accept any interference received, including interference that may cause undesired operation.

### MECHANICAL SPECIFICATIONS

Hook Switch (Cradle Switch) Life  
Housing Material  
Handset Material  
Net Weight  
Mechanical Dimensions  
Shipping Weight  
Shipping Dimensions (L x W x D)  
Mounting  
Microphone  
Receiver  
Hardware Material  
Wiring Access  
Points

>1 000 000 Operations  
High Impact Thermoset Resin Compound  
High Impact Thermoset Resin Compound  
8.68 lbs ( 3.95 kg)  
241mm[9.5"] W x 273mm [10.76"] L x 139mm [5.5"] H  
10.7 lbs ( 4.9 kg)  
16.0" x 10.5" x 9.5" ( 407 x 267 x 242 mm)  
Desk or Wall  
Noise Canceling  
Hearing Aid Compatible (HAC)  
Stainless Steel  
2 x M20 & 1 x M12 Cable Gland Entry

### ORDERING INFORMATION

Warranty: Five year parts and labor

Order No.	Description
P3046	DTT-50-V-H Telephone/Curlly Handset Cord
P3047	DTT-60-V-H Telephone/Armored Handset Cord

#### Options

20C-DTT-ZONE	20ft (6.1m) Coil Handset Cord for DTT-50-V-H
OA-DTT-PTT DTT Series	Push To Talk (PTT) handset, disables mic when not in-use
CC	Conformal Coated Circuit Board
<sup>1</sup> Headset	Contact a Guardian Telecom sales representative for details.
<sup>2</sup> Custom Colors	Custom colors are available. Minimum quantities or premiums may apply. For details on custom options, contact a Guardian Telecom sales representative.

Distributed by:



GUARDIAN TELECOM LTD.  
Calgary, Alberta, Canada  
Telephone: 403 258 3100 Facsimile: 403 255 2595  
1 800 363 8010 (North America)  
info@guardiantelecom.com | www.guardiantelecom.com

