

DTT DTR SERIES

Industrial Desk/Wall Telephones and Ringdown Telephones

DTT-50



DTT SERIES has optional push to talk PTT handset



DTR-61 with armored cord

DTR SERIES has volume control handset

DTT/DTR SERIES INDUSTRIAL ANALOG NON-HAZARDOUS TELEPHONES

- DTT-50 - Silicone Keypad/Handset/Heavy duty Curly Cord.
- DTT-60 - Silicone Keypad/Handset/Armored Cord.
- DTR-51 - Direct call ringdown/Volume Control Handset/Heavy duty Curly Cord.
- DTR-61 - Direct call ringdown/Volume Control Handset/Armored Cord.

FEATURES and BENEFITS

- Static dissipative, high impact thermoset resin industrial housing and ergonomic heavy duty handset – IP-66 compliant.
- DTT models feature a back-lit LCD display – 2 line x 16 character: English, French or Spanish.
- Reversible base for desktop or wall mount configurations.
- Audio modes – handset and hands-free speaker phone or optional headsets (DTT only).
- Optional Push To Talk (PTT) switch in handset to manually enable microphone (DTT Only).
- Corrosion resistant hardware.
- Noise canceling microphone.
- Self resetting fuse prevents damage to the electronic circuits in the event of a high voltage spike on the telephone line.
- Magnetic reed hook switch to reduce parts subject to wear.
- Factory set to tone (DTMF) Operation.
- Pulse dialing can be software configured in the field, 40:60 or 33:66.
- Removable handset retainer latches on cradle.
- Large urethane coated watertight Silicone keypad on DTT models.
- Link, Release, Redial and Flash keys on DTT models.
- Hearing-aid compatible (HAC) receiver.
- Receiver Volume Control provides user with a 16 dB range.
- Heavy duty coil cord on DTT-50 and DTR-51 or armored cord on DTT-60 or DTR-61.
- Built in ring detect relay to switch up to 240V @ 5 amps.
- DTT models – 20 number memory including 10 single quick dial numbers.
- Programmable auto hang-up timer.
- Two M20 and one M12 gland entries.
- Field repairable by authorized personnel.
- Does not require external power – operates on telephone line power.

DT RANGE OF TELEPHONES

Guardian's DT RANGE are desk and wall mounted industrial telephones designed to provide safe, reliable communication in industrial areas that are prone to harmful environments, where consumer phones are not suitable. Dust and Corrosion resistant.

DTT/DTR SERIES OF TELEPHONES

Guardian's DTT/DTR SERIES telephones are designed to provide safe, reliable communication in industrial areas that are prone to harmful environments, where consumer phones are not suitable. Dust and Corrosion resistant.

APPLICATIONS

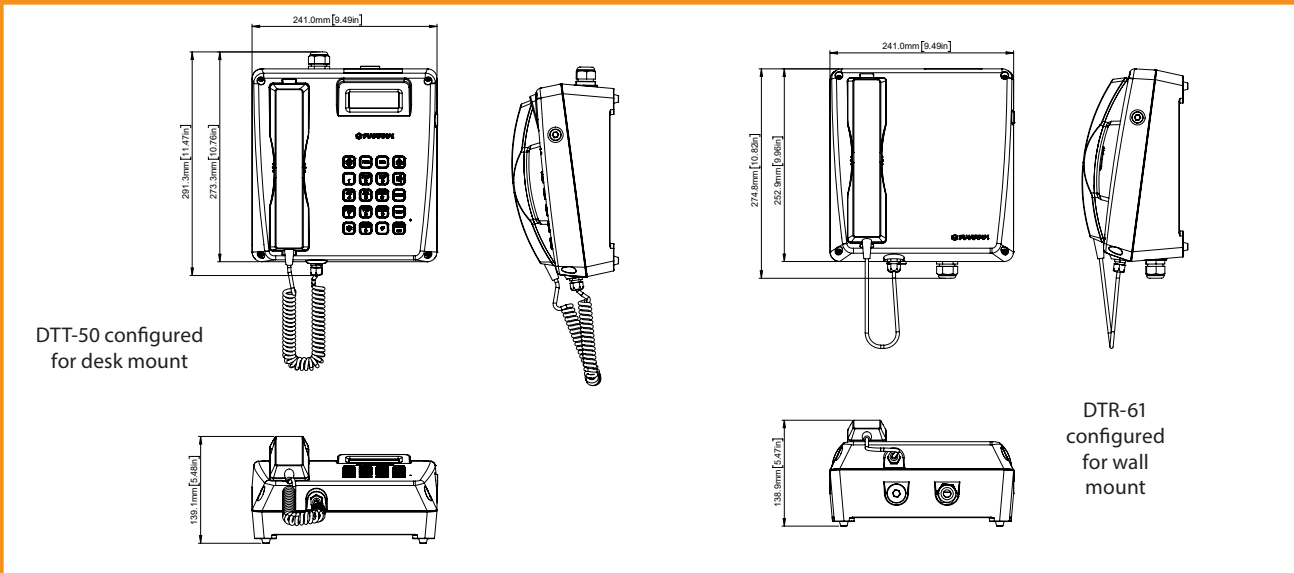
- | | |
|-----------------------------|--------------------------|
| Refineries | Sewage Plants |
| Power Generation Facilities | Drilling Rigs |
| Pulp and Paper Mills | Hydroelectric Facilities |
| Food Processing Plants | Warehouses |
| Chemical Plants | Mines |
| Material Sites | Greenhouses |
| Cement Plants | and more . . . |



tough. trusted. true.



OVERALL DIMENSIONS



DTT Industrial Desk/Wall Telephones • DTR Industrial Desk/Wall Ringdown Telephones

ENGINEERING SPECIFICATIONS

ELECTRICAL PERFORMANCE

Audible Range Frequency Response	300 - 3400 Hz
Hands Free Speaker Output on DTT Models (Max @ 1KHz)	~85dB @ 1 Meter
Transmit Objective Loudness Rating (TOLR)	Nominal -38.5 +/- 3 dB
Receiver Volume Adjustment on DTT-Z Models	8 Steps, 2 dB/Step
Receiver Objective Loudness Rating (ROLR)	Nominal 50 +/- 3 dB
- receiver volume at maximum	42 +/- 3 dB
- receiver volume at minimum	58 +/- 3 dB
Side Tone Objective Loudness Rating (SOLR)	Nominal 11 +/- 4 dB
- receiver volume at maximum	0 +/- 4 dB
- receiver volume at minimum	10 +/- 4 dB
Quick Dial	} DTT Models Only
Flash	
Redial	
Ringer Output	31 Digits Maximum
Set Impedance	85 dB @ 1M
Maximum Loop	600 Ohms Nominal 15Kft (~4,600m) of 22 AWG Wire

North American Configuration¹

Dialing Method (DTT Models Only)
DTMF 40:60 Pulse @10 PPS

European Configuration¹

Dialing Method (DTT Models Only)
¹Conforms To

DTMF or 33:66 Pulse @10 PPS
Residential and Industrial Areas
ETSI TBR 38: May 1998 (Acoustics)
ETSI TBR 21: January 1998 (Telephone Network)

MECHANICAL SPECIFICATIONS

Hook Switch (Cradle Switch) Life	> 1 000 000 Operations
Housing Material	High Impact Thermoset Resin Compound
Handset Material	High Impact Thermoset Resin Compound
Net Weight	8.68 lbs (3.95 kg)
Mechanical Dimensions	241mm[9.5"] W x 273mm [10.76"] L x 139mm [5.5"] H
Shipping Weight	10.7 lbs (4.9 kg)
Shipping Dimensions (L x W x D)	16.0" x 10.5" x 9.5" (407 x 267 x 242 mm)
Mounting	Desk or Wall
Microphone	Noise Canceling
Receiver	Hearing Aid Compatible (HAC)
Hardware Material	Stainless Steel
Wiring Access	DTT Models – 2 x M20 & 1 x M12 Cable Gland Entry Points DTR Models – 2 x M20 Cable Gland Entry Points

ELECTRICAL REQUIREMENTS

Ringer Sensitivity	40 - 100 V, 16 - 25 Hz
Line Voltage	24 - 56 VDC
Loop Current	DTT 26 - 100 mA, DTR 20 - 100 mA
Connection Method	Terminal Blocks
Fuse – Main Telephone CCT	250 mA – Auto Reset
Ring Detect Relay Contacts (Fused)	5 Amp 250 VAC Fast Blow

ENVIRONMENTAL

Corrosion Resistant & Dustproof	Full Gasket Faceplate
Operating temp:	-40° to +140°F (-40° to +60°C)*
Storage Temp:	-58° to +176°F (-50° to +80°C)*
* The LCD on DTT models may become non-responsive in temperatures under -20°C (-4°F)	
Ingress Protection Rating	IP66
Humidity	0 to 95% RH

COMPLIANCE



ORDERING INFORMATION

Warranty: Five years parts and labor

Order No.	Description
P3027	DTT-50 Telephone/Silicone Keypad /Volume Control on Keypad/Curly Cord
P3028	DTT-60 Telephone/Silicone Keypad/Volume Control on Keypad/Armored Cord
P3029	DTR-51 Ringdown Telephone/Volume Control on Handset/Curly Cord
P3030	DTR-61 Ringdown Telephone/Volume Control on Handset/Armored Cord

Options

OA-DTT-PTT DTT Series Push To Talk (PTT) handset, disables mic when not in-use
Extended handset curly cords (up to 20ft/6.1m)
Headset, Contact a Guardian Telecom sales representative for details
Custom colors are available for non-zone I applications. Minimum quantities or premiums may apply. For details on custom options, contact a Guardian Telecom sales representative.

Distributed by:



GUARDIAN TELECOM LTD.
Calgary, Alberta, Canada
Telephone: 403 258 3100 Facsimile: 403 255 2595
1 800 363 8010 (North America)
info@guardiantelecom.com | www.guardiantelecom.com

