

ACT-V SERIES

Cast Aluminum

VoIP Telephones

ACT-V SERIES OUTDOOR/INDOOR INDUSTRIAL VoIP NON-HAZARDOUS TELEPHONES

- ACT-30-V Metal Keypad/Volume Control Handset/Curly Handset Cord
- ACT-40-V Metal Keypad/Volume Control Handset/Armored Handset Cord

FEATURES and BENEFITS

- Adaptive "Full" duplex voice operation
- PoE 802.3af enabled (Power-over-Ethernet) or alternate power source
- Compatible with SIP RFC 3261 compliant IP-PBX and Cloud based servers
- Auxiliary Relay to control external devices with multiple control modes (Refer to document P007402 – VoIP Setup and Configuration Guide)
- Network web management interface
- Guardian Discovery Utility makes it easy to detect, locate and launch the web based configuration screens
- Web Interface provides full configuration over device. Some key features include:
 - Handset Volume and Microphone default level settings
 - Relay activation management
 - Call timers/
 - Event Management, Real Time Monitoring, Product Updates
 - Product Automated configuration
- Weather & dust proof metal keypad
- Speed-dial mode – up to 12 single keys
- Powder coated, die cast aluminum enclosures
- Operating temp: -22° to +140°F (-30° to +60°C)
- Weather, dust & corrosion resistant for any industrial application
- Locking or non-locking door
 - Lock version limits access to authorized personnel only
 - Key is common to all locks
- Magnetic reed hook switch - no moving parts
- Hinge turns on nylon bushings to avoid jamming caused by salt or corrosion
- Heavy duty G type industrial handset
- Modular parts for easy service
- Hearing aid compatible



ACT-30-V
– with Heavy Duty
Curly Handset Cord



ACT-40-V
– with Vandal
Resistant Armored
Handset Cord



Pole Mount
Kit



AC RANGE OF TELEPHONES

Guardian's AC RANGE meets the demanding requirements of sites that are prone to abuse and inclement weather. Rated for Moderately Harmful and Adverse Areas.

ACT SERIES OF TELEPHONES

Guardian's ACT-30-V & ACT-40-V Cast Aluminum Telephones are housed in a locking or non-locking aluminum enclosure, these telephones resist moisture, dust and corrosive chemicals. They are specially designed to provide reliable service in out-door environments.

APPLICATIONS

These telephones are designed to provide reliable communications in environments prone to abuse and inclement weather:

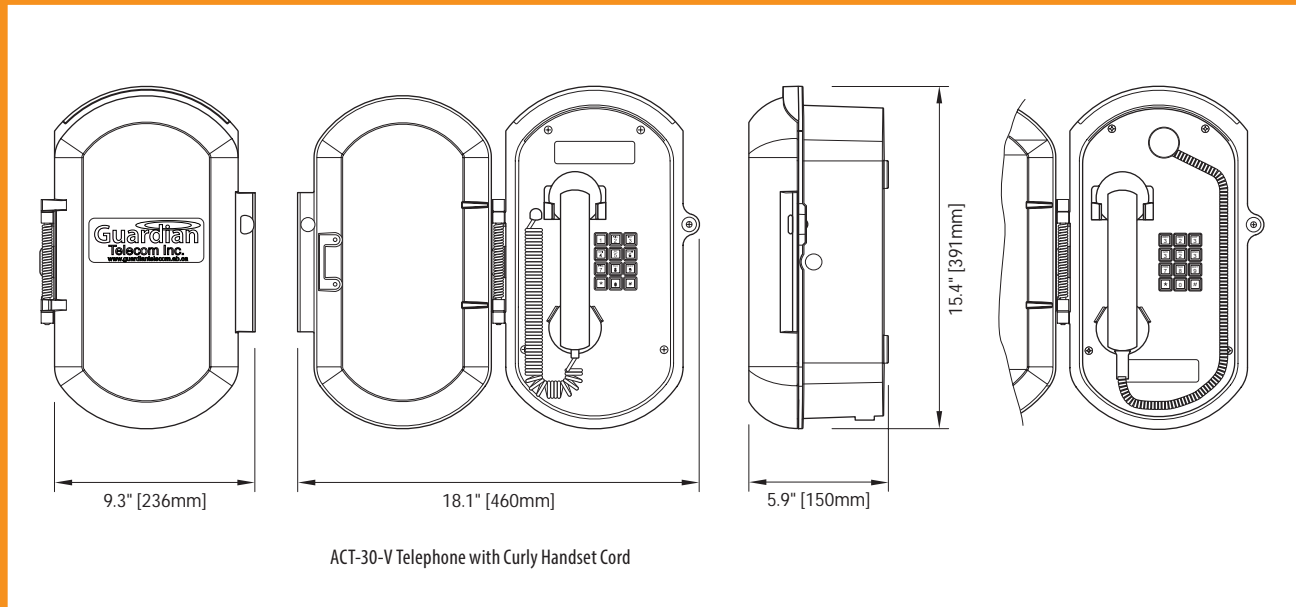
Universities	Public Access Areas	ATMs
Secure Access Entry	Transit Authorities	Medical Centers
Public Safety Purposes	Roadside Emergency	Sporting Facilities
Industrial Parks	Building Entrances	Call Boxes
Parking Facilities	Plant Entry Gates	Master Points
Transit Authorities	Amusement Parks	Sporting Facilities
Medical Centers	Senior Citizen Housing	Airports
Mass Transit	Road Networks	Parks
and more ...		



tough. trusted. true.



OVERALL DIMENSIONS



ACT-30-V Telephone with Curly Handset Cord

ACT-V Series Cast Aluminum VoIP Telephones

ENGINEERING SPECIFICATIONS

ELECTRICAL PERFORMANCE

Network Rate
Protocols:

10/100 Mbps
SIP (RFC 3261 Compliant)
HTTP Web-based configuration
DHCP Client
TFTP Client
RTP
PCMU (G.711 mu-law)
PCMA (G.711 A-law)
G722.1 (Siren7)
G722.2 (AMR-WB)
G729.1 (G729J & G729EV)

Audio Encodings:

ENVIRONMENTAL

Weather Proof Enclosure
Operating Temp:
Storage Temp:
Humidity
Corrosion Resistant

Type 3R
-22° to +140°F (-30° to +60°C)
-58° to +176°F (-50° to +80°C)
0 - 95% RH Non-Condensing
Full Gasket Faceplate

COMPLIANCE

FCC
IC
IEC

Part 15[†], Class A
ICES-003 CLASS A
CISPR 22: 2008
61000-6-2: 2005

ELECTRICAL REQUIREMENTS

Power Requirements

Method 1 - Thru LAN: POE 802.3 af (44-57V)
Method 2 - External PS:

Auxiliary Relay

Switch OR via POE Injector
24VDC @ 1A
1.0A @ 30V

MECHANICAL SPECIFICATIONS

Hook Switch (Cradle Switch) Life

>1 000 000 Operations

Body Construction

Cast Aluminum

Faceplate

Corrosion Protected & Powder Coated

Net Weight

12 lbs (5.5 kg)

Shipping Weight

13 lbs (5.9 kg)

Shipping Dimensions (L x W x D)

16.0" x 10.5" x 9.5" (407 x 267 x 242 mm)

Hand Set Construction

High Impact Polycarbonate

Mounting

Vertical Wall

Microphone

Noise Reducing Electret

Receiver

Hearing Aid Compatible

Hardware Material

Stainless Steel



[†] This device complies with Part 15 of the FCC Rules. Operation is subject to the following two conditions: (1) This device may not cause harmful interference, and (2) this device must accept any interference received, including interference that may cause undesired operation.

ORDERING INFORMATION

Warranty: Five years parts and labor

Order No.	Description
P5432	ACT-30-V Metal Keypad/6' (1.8m) Curly Handset Cord
P5433	ACT-40-V Metal Keypad/18" (0.45m) Armored Handset Cord
Options	
CC	Conformal Coated Circuit Board
PMK-ACE	Pole Mount Kit for ACE-100 Enclosure
NC	Noise Canceling Microphone
LD	Locking Door
AC-YL	Yellow Enclosure

Distributed by:



GUARDIAN TELECOM LTD.
Calgary, Alberta, Canada
Telephone: 403 258 3100 Facsimile: 403 255 2595
1 800 363 8010 (North America)
info@guardiantelecom.com | www.guardiantelecom.com

