



OGP-10 Tower Base Preparation

In order to ensure a satisfactory installation of the OGP-10 Help Point Tower it is very important that the base be properly prepared.

Read these instructions carefully to ensure that all steps are carried out and that nothing is overlooked.

Critical items:

- **Mounting bolts must be spaced according to the dimensions shown in Figure 1. Use of a mounting template is recommended. Contact Sales for pre-delivery of a cardboard template or print one from page 3 of this document.**
- **Mounting bolts must extend 6" above the concrete floor and be no larger than $\frac{3}{4}$ " in diameter. See Figure 2.**
- **Mounting bolts must be oriented in a pattern that will ensure the Tower will be faced correctly when installed.**
- **Wiring conduit must be run to the base prior to pouring concrete. Refer to manual P007915.**

Site Preparation:

NOTE: It is the customer's responsibility to understand any local building codes regarding the final structural integrity of the mounting. The following are basic guidelines:

- 1) Review and note the mounting hole pattern, cable entry and other dimensional information of the Tower to determine:
 - a) Size of Piling or mounting plate and appropriate anchor bolt size and placement.
 - b) Accessibility and form factor of the entry cable(s).
 - c) Accessibility to interior access panels.
 - d) Public visibility and accessibility.
- 2) Ensure that the anchor plate or piling and anchor bolt sizes meet local construction codes. Following is a sample installation drawing. The sealing washers provided and the mounting holes in the Tower are designed for bolt size up to $\frac{3}{4}$ ".
- 3) For a mounting-hole pattern, a cardboard mounting template is included with the Tower (Guardian P/N: P007745). See Figure 1 for positioning of the anchors and Figure 2 for the ideal height for the nuts/washer on the anchors. If the Tower with the mounting template has not been received, a request can be sent to Guardian to provide a template.
Alternatively, if a mounting template is not available the illustration on page 3 can be printed on 11" x 17" paper, glued or taped to a sheet of cardboard and the holes cut out.
Using a ruler ensure that the dimensions match the figures shown, otherwise adjust as necessary.

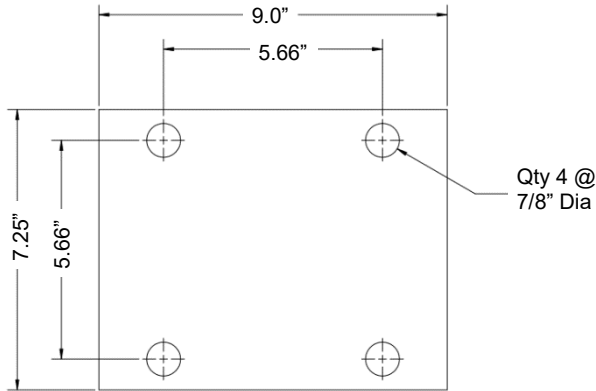


Figure 1 - Anchor Positioning

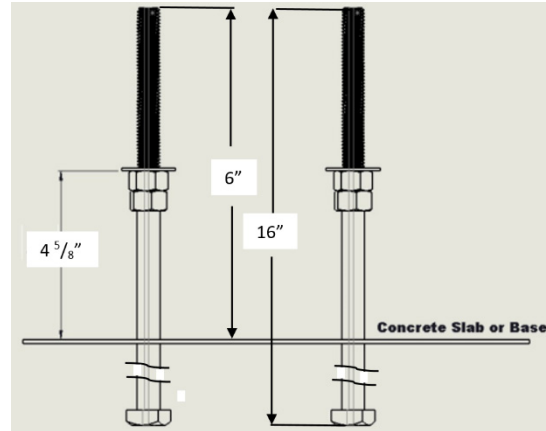


Figure 2 - Setting Washer Height

Sample Installation Guideline

General Construction Notes (Based on 2019 codes for Canada Only): Consult local codes/standards
The following guidelines will provide sufficient support for 350lbs (160Kg's) impact force with winds up to 125Mph (200Kph)*

