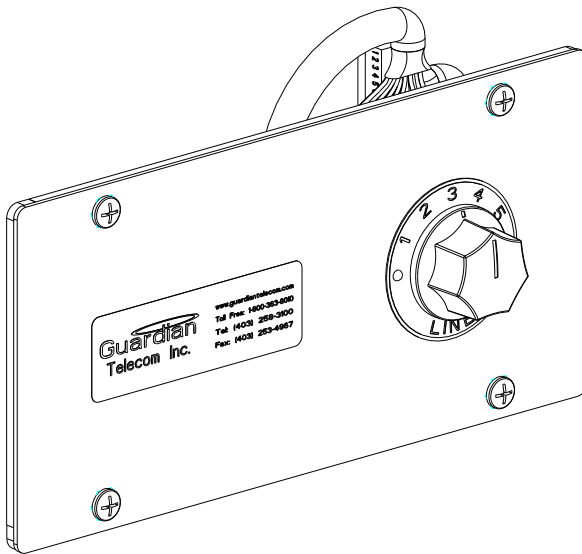


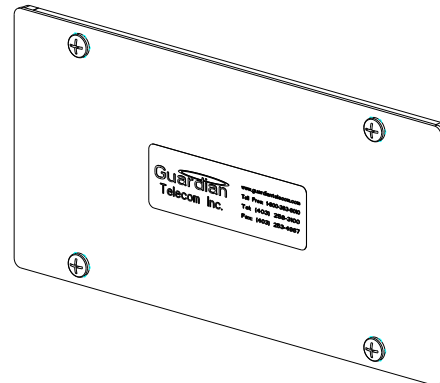


Page/Talk Switch Plate

Installation



P5530



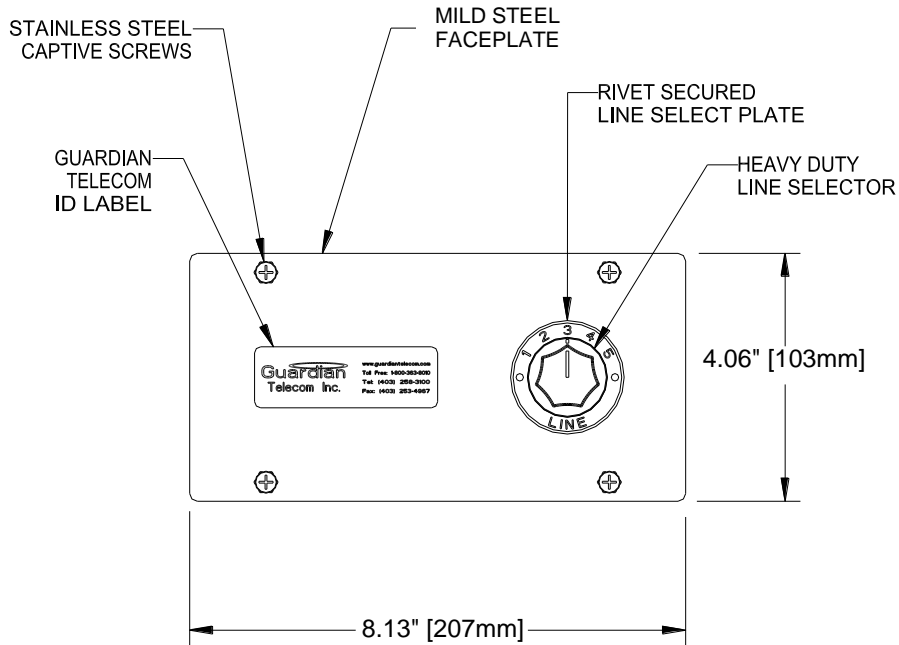
P5531

IF THIS SWITCH PLATE IS TO BE USED IN A HAZARDOUS ENVIRONMENT CONTACT GUARDIAN FOR INFORMATION ON COMPLIANCES.

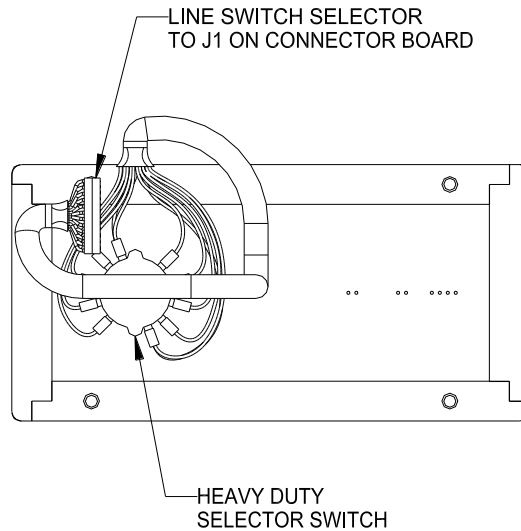
IF YOU HAVE QUESTIONS CONCERNING THIS PRODUCT PLEASE CONTACT OUR SERVICE DEPARTMENT BY PHONE, TOLL FREE IN NORTH AMERICA 1-800-363-8010, AT 1-403-258-3100 OUTSIDE OF NORTH AMERICA OR BY E-MAIL AT THE ADDRESS SHOWN BELOW.

WARNING

- High voltages may be present in this product when it is connected to system wiring.
- It is the responsibility of the end user to ensure that this product meets the requirements for the area in which it is to be installed and that it is installed and wired according to local regulations.



Features and Dimensions



Electrical Connections

Replacement Parts

Part No.	Description
P004738	Switch - Five Channel With Harness
P004833	Knob - Rotary Cap Pointer
P005923	Plate - Five Line
P005924	Plate - Single Line