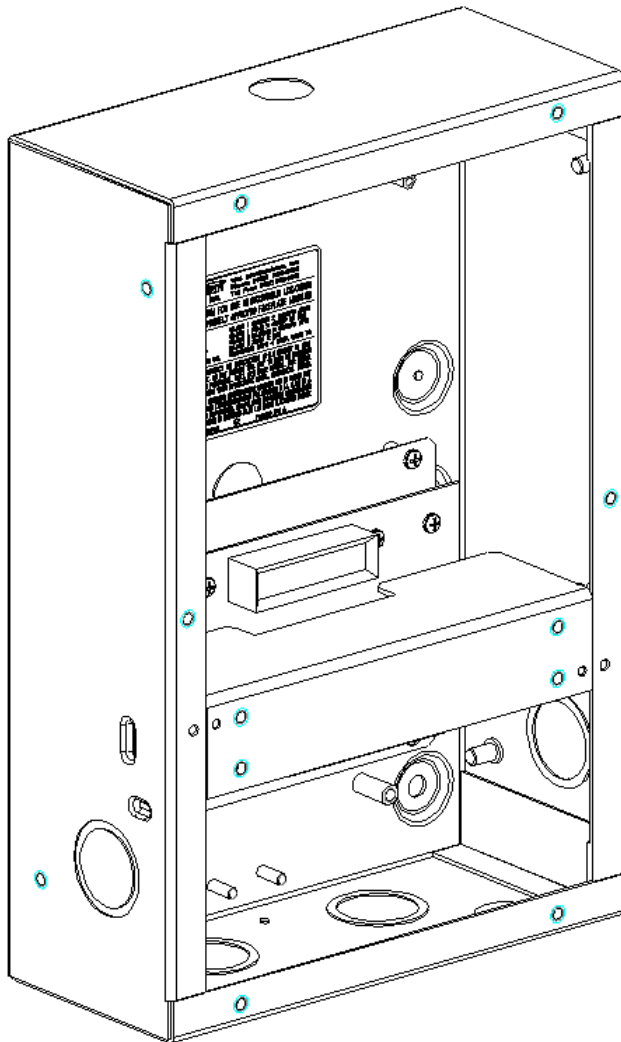
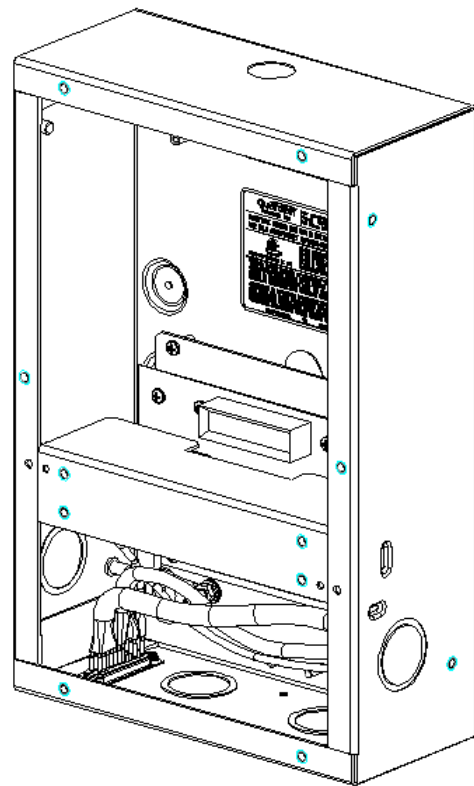


Page/Talk Indoor Housing

Installation & Operation



P5520



P5521

Table of Contents

Package Contents2
 Replacement Parts2
 Overview3
 Features3
 Page/Talk Indoor Housings Models3
 Options and Accessories3
 Alternative Speaker Configurations.....6
 Installing the Indoor Housing9
 Group Muting.....10
 Product Specifications11
 Installation Cable Listing11
 Warranty12
 Disclaimer.....12
 Warning12
 Service Telephone Number12
 Feedback.....12
 Guardian Product Return13
 Page/Talk System Models and Options14
 Typical Installation15

Table of Figures

Figure 1 - Features (With Optional Desk Set Connector)4
 Figure 2 - Dimensions5
 Figure 3 - Mounting5
 Figure 4 - Wiring Photo.....6
 Figure 5 - Installation Photo.....7
 Figure 6 - Crossbar Assembly Photo7
 Figure 7 - Wiring8
 Figure 8 - Electrical Connections8
 Figure 9 - Maximum Speaker Cable Runs to Limit Volume Loss to 1dB9

Package Contents

- One (1) Page/Talk Indoor Housing
- One (1) Installation & Operation Manual

Replacement Parts

Part No.	Description
P005918	Housing - Steel Indoor
P005926	Bracket - PCB Mounting
P005928	Bracket - Faceplate Mounting Bar
P005963	PCB - Connector
P006069	Amplifier Harness

Overview

Page/Talk Indoor Housings

Guardian's Page/Talk Systems provide reliable and easy to use paging and communication within industrial environments such as plants, mills and factories. Individuals can be paged from any station and two or more persons can communicate on any available line.

The Indoor Housings described in this manual are designed for use in harsh, industrial environments. Housings intended for handset or amplifier stations are identical and can be used for single talk line or five talk line configurations. Housings have a knockout to facilitate installation of a connector in the event that the station is used as a desk set amplifier.

Features

Construction

- 16 gauge steel, zinc dichromate plated and powder coated

Cable Entrances

- knockouts are provided at convenient locations

Mounting

- kits are available for pole mounting and flush mount installations
- hole spacing for wall mounting is industry standard

Connectors

- removable screw and plug Combicon connectors allow for ease of installation, simply screw wires into plug and reinsert plug into PCB socket

Crossbar

- Removable for ease of access

Page/Talk Indoor Housings Models

Part No.	Description
P5520	Standard indoor housing
P5521	Desk amplifier housing (includes DB25 connector and harness)

Options and Accessories

Part No.	Description
P5544	Indoor desk amplifier housing harness kit
P5547	Indoor housing backplate kit
P5548	Indoor housing flush mount kit

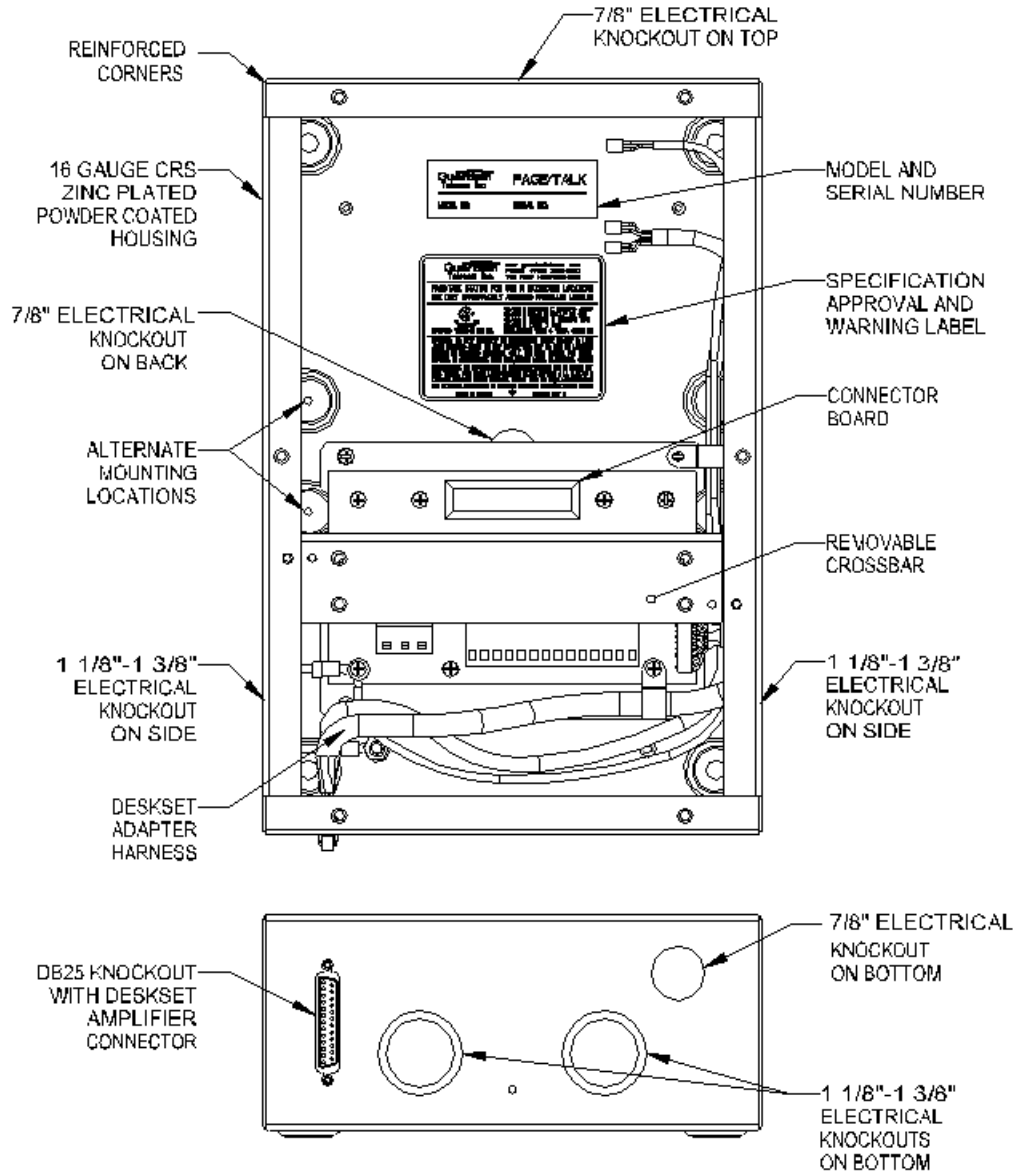


Figure 1 - Features (With Optional Desk Set Connector)

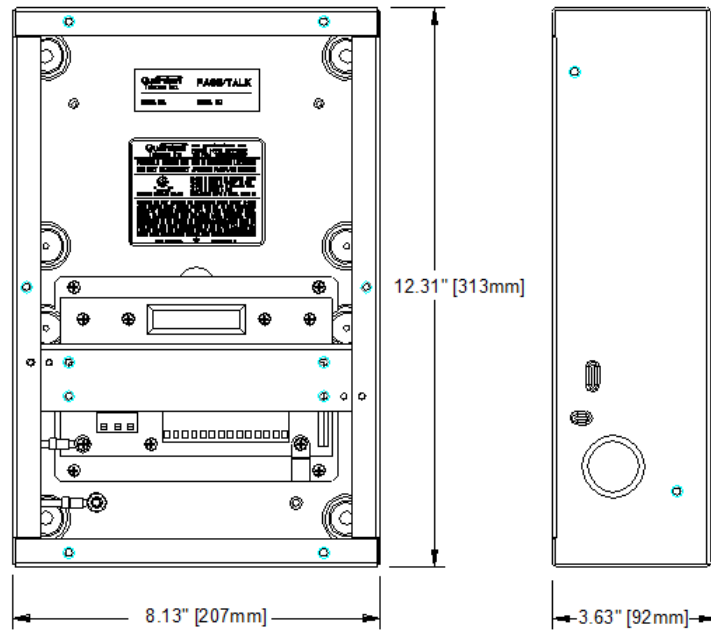


Figure 2 - Dimensions

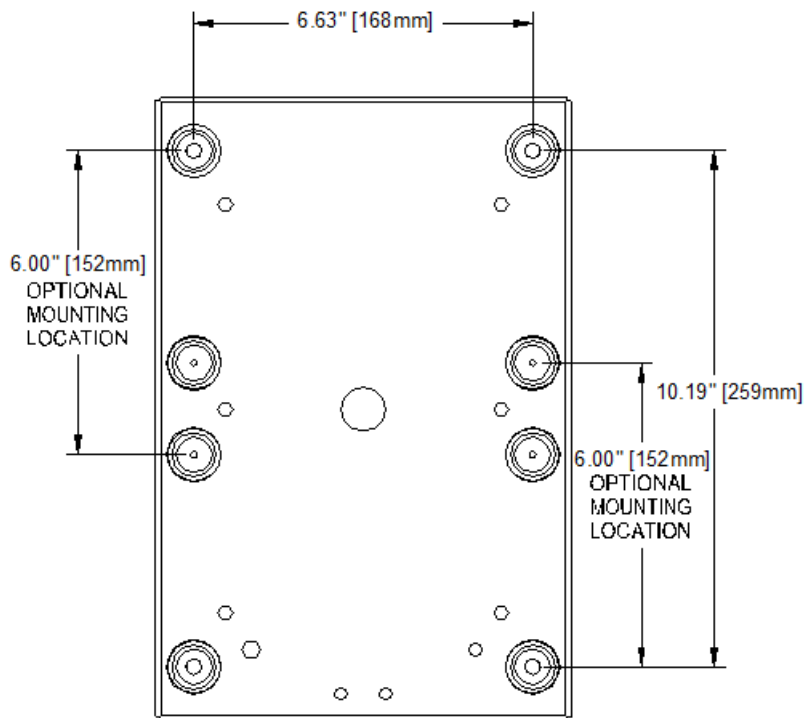
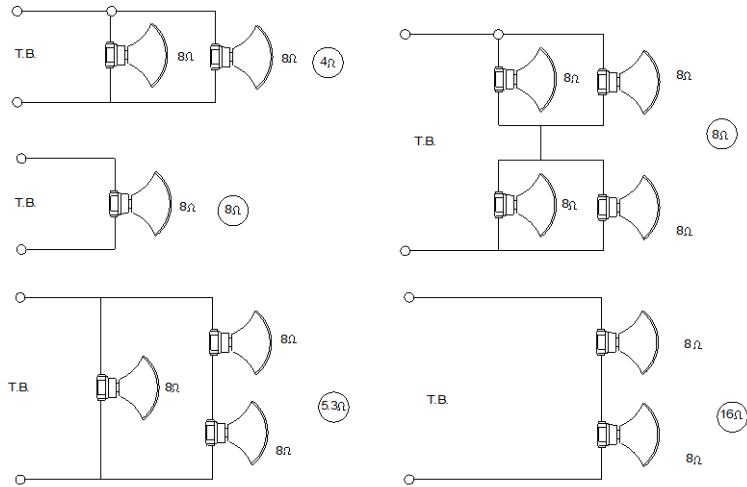


Figure 3 - Mounting

Alternative Speaker Configurations

Note: Total impedance on the amplifier circuit should not be less than eight ohms for continuous operation such as background music and not less than four ohms for intermittent operation such as paging. Suitable resistors can be wired in series or in parallel with speakers to maintain an acceptable impedance.



*T.B.- TERMINAL BLOCKS (SPEAKER +, -)

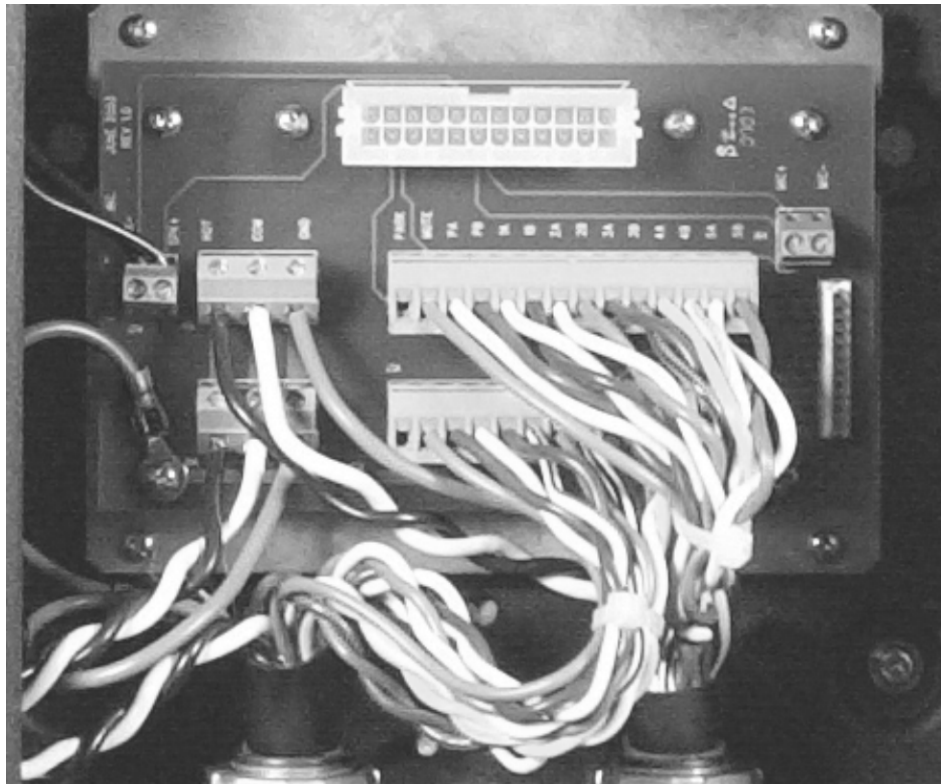


Figure 4 - Wiring Photo

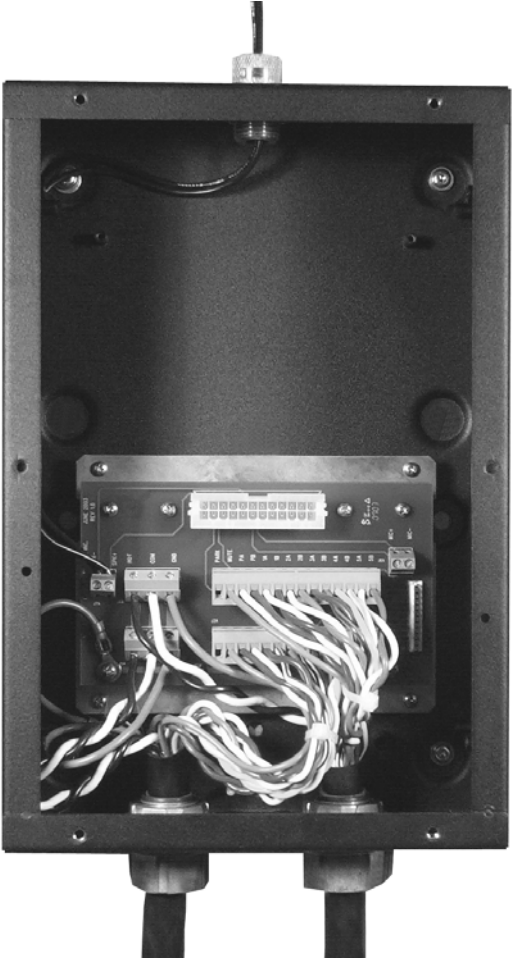


Figure 6 - Crossbar Assembly Photo

Figure 5 - Installation Photo



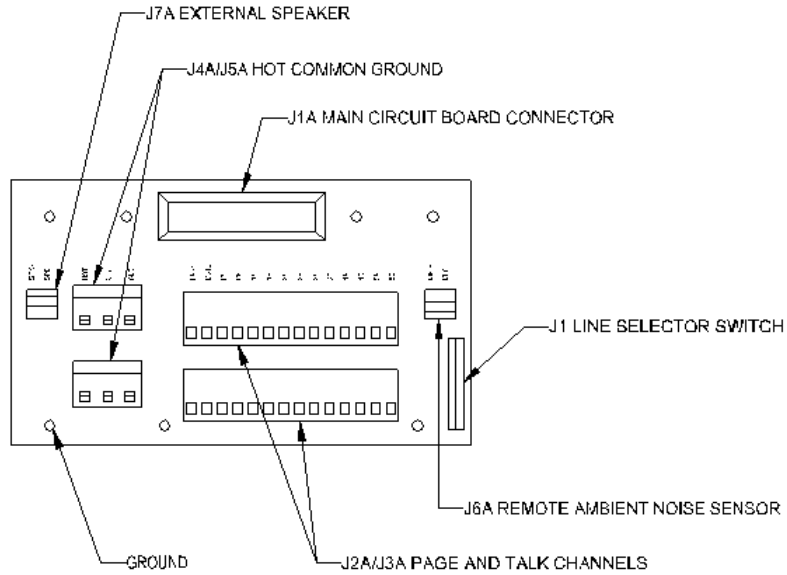


Figure 7 - Wiring

Assignment	Designation	Description	Jacket Color	Stripe Color	Wire Gauge
System Power	J4A/J5A	HOT	Black		14 AWG
	J4A/J5A	COM	White		14 AWG
	J4A/J5A	GND	Green		14 AWG
Ambient Noise Microphone	J6A	MIC +	n/a	n/a	n/a
	J6A	MIC -	n/a	n/a	n/a
Speaker	J7A	SPK +	n/a	n/a	n/a
	J7A	SPK -	n/a	n/a	n/a
Page Line	J2A/J3A	PA Page Line	Blue	Red	18 AWG
	J2A/J3A	PB "	Red	Blue	"
Channel	J2A/J3A	1A Channel 1	Red		18 AWG
	J2A/J3A	1B "	L. Brown	Red	"
	J2A/J3A	2A Channel 2	Violet		18 AWG
	J2A/J3A	2B "	L. Brown	Violet	"
	J2A/J3A	3A Channel 3	Blue		18 AWG
	J2A/J3A	3B "	L. Brown	Blue	"
	J2A/J3A	4A Channel 4	Brown		18 AWG
	J2A/J3A	4B "	L. Brown	Brown	"
	J2A/J3A	5A Channel 5	Yellow		18 AWG
	J2A/J3A	5B "	L. Brown	Yellow	"
Group Muting of Loudspeakers	J2A/J3A J2A/J3A	Mute Park	Orange		18 AWG "
Spare Conductor (Special Order)	n/a	Extra	Red		12 AWG

Note:

Channels 2 to 5 connections remain empty for single Talk Line hookup.

If this station is in a Group Muting series, but is not to be muted when paging calls are made from other stations in the group, connect the wires assigned to this function to the Park terminals.

Figure 8 - Electrical Connections

Installing the Indoor Housing

WARNING - high voltages are present in this equipment when it is connected to the power source.

- Follow all appropriate electrical codes and use only approved electrical fittings for the installation.
- Using a punch or screwdriver remove knockouts in appropriate locations.
- Install suitable fittings in the cable entrances.
- If the housing was supplied with the optional back plate kit or flush mount kit refer to the kit manual for mounting instructions.
- Choose a wall location that is free of obstructions and permits space for conduit or wire.
- Ensure mounting can support 11 lbs/5 kg (with module installed), and any additional foreseeable load.
- If the housing is a replacement for one that was previously installed, the hole spacing may be the same. If necessary drill out two of the optional mounting holes in the housing with a 5/16" bit. Plug any unused holes in the housing to prevent ingress of moisture and dust.
- If this is a new installation use the template provided or the housing itself to locate and drill holes for mounting screws.
- Secure the unit to the wall.
- Ensure that none of the electrical connection circuits are live.
- Bring cable(s) into the enclosure through the conduit entrance(s) and attach individual wires to the Combicon connector(s). Attach the wires from the first or only cable to the bottom connector. Make Talk channel connections to terminals 1A and 1B for a single line station.
- If the station is part of a Group Muting series connect the wires assigned to this function to either the Mute or Park terminal on the connector.
- Plug the connector(s) into the receptacle(s) on the interface board.
- Ensure all connections are secure.

See: Figure 1 - Features (With Optional Desk Set Connector)

See: Figure 2 - Dimensions

See: Figure 3 - Mounting

See: Insert - Template

See: Figure 7 - Wiring and Figure 8 - Electrical Connections

See: Group Muting

Wire Gauge	Area (mm ²)	4 Ohm Load	8 Ohm Load	16 Ohm Load
18 AWG	1.2	40 ft. (12 m)	80 ft. (25m)	160 ft. (50 m)
16 AWG	1.5	60 ft. (18 m)	120 ft. (36 m)	240 ft. (72 m)
14 AWG	1.8	100 ft. (30 m)	200 ft. (60 m)	400 ft. (120 m)

Note: Performance may vary depending on a number of factors such as the type and thickness of insulation on the conductors and whether or not twisted pairs are used.

Figure 9 - Maximum Speaker Cable Runs to Limit Volume Loss to 1dB

Group Muting

In order to avoid acoustical feedback it may be desirable in certain circumstances to mute speakers associated with adjoining stations when making a paging call. This can be accomplished by interconnecting the "Group Mute" terminals of each station in the group, and setting the speaker mute jumpers on the circuit boards to the appropriate position.

Note: Putting the mute jumper of a station in the on position will mute the associated speaker when the page button is pressed. If the jumper is in the off position the speaker will not be muted when the page button is pressed.

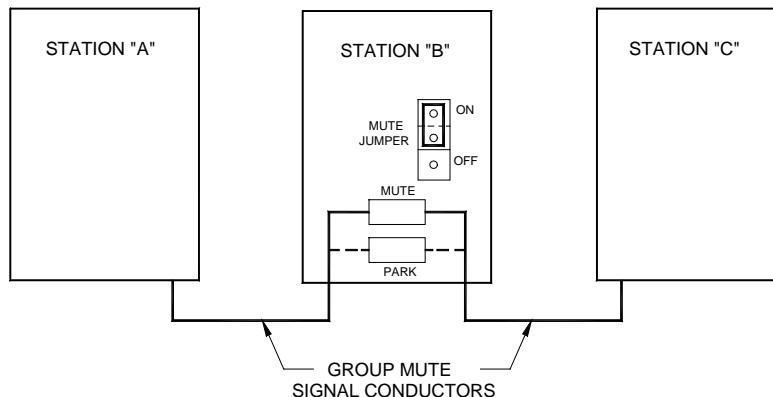
If group muting is used the associated speaker of any station in the group with its mute jumper in the on position will be muted when a paging call is made from any station in the group, including the associated station. Any speaker associated with a station with its mute jumper in the off position will not be muted when a paging call is made from any station in the group, including the associated station.

If it is desired to bypass a station in a group, connect the group paging wires to the PARK terminals of that station.

See: Figure 8 - Electrical Connections.

Note: Paging calls originating from stations outside the group will be heard regardless of the position of the Mute jumper.

EXAMPLE OF GROUP MUTING



If the Group Mute Signal Conductors are attached to the Park terminals of station "B" that station will be bypassed and paging from stations "A" or "C" will have no effect on the output of the loudspeaker associated with Station "B".

If the Group Mute Signal Conductors are attached to the Mute terminals of station "B" the condition of the loudspeaker associated with that station will depend on the setting of the Mute On/Off jumper. If the jumper is in the ON position the loudspeaker will be muted if a paging call is made from any of the three stations. If the jumper is in the OFF position the paging call will not be muted if a paging call is made from any of the three stations.

Paging calls from outside the Group will always be heard, regardless of the position of the mute jumper.

Product Specifications	
ENVIRONMENTAL	
WEATHER TIGHT	ENCLOSURE GASKET
DUST TIGHT	ENCLOSURE GASKET
MECHANICAL	
CONSTRUCTION	16 GAUGE STEEL, ZINC DICHROMATE PLATED AND POWDER COATED
DIMENSIONS (H X W X D)	12.31 X 8.13 X 3.63 INCHES / 313 X 207 X 92 MM
NET WEIGHT (HOUSING ONLY)	6.2 LBS/2.8 KG
COMPLIANCE	
APPROVED FOR USE IN HAZARDOUS AREAS WHEN INSTALLED IN CONFORMANCE WITH CSA CERTIFICATE OF COMPLIANCE 1289924 (LR65547). SEE MANUAL NUMBER P006257 FOR DETAILS.	

Installation Cable Listing

Part No.	Description	Part No.	Description
P006183	2 Conductor 18AWG Armored Speaker	P005863	8 Conductor Armored (Single Line System)
P006184	2 Conductor 18AWG Standard Speaker	P005916	8 Conductor Standard (Single Line System)
P006217	4 Conductor 18AWG Armored Speaker	P005366	16 Conductor Armored (Five Line System)
P006216	4 Conductor 18AWG Standard Speaker	P005219	16 Conductor Standard (Five Line System)
		P006218	17 Conductor Armored (Five Line System)

Warranty

Guardian Telecom warrants your product to be free of defects in material and workmanship for a period of one year. Guardian Telecom will repair or replace any defective unit that is under warranty free of charge.

This warranty is null and void if any non-authorized modifications have been made to this product, or if it has been subjected to misuse, neglect, or accident. This warranty covers bench repairs only; such repairs must be made at Guardian Telecom or an authorized service depot. Guardian Telecom is not responsible for costs incurred for on-site service calls, freight, or brokerage.

A return authorization must be obtained prior to warranty claims or repairs.

Disclaimer

The products covered by this manual are designed for use in Industrial Environments and/or Hazardous Locations. Due to the range of possible applications for these instruments the manufacturer will not be responsible for damages or losses of any kind suffered as a result of the use of this product, including consequential damages.

Warning

High voltages may be present in this product, ensure that power is removed before installing, performing maintenance or making repairs.

Service Telephone Number

1-800-363-8010 Toll Free in North America

Guardian Telecom provides a customer service telephone number which is toll-free within North America. If you need assistance when installing or operating this product, please call the toll-free telephone number between regular business hours (7:30AM-5:00PM), Mountain Standard Time. If you are calling outside of regular business hours, please leave a detailed message, and a member of Guardian Telecom's Service Department will return your call as soon as possible. If your product requires service, Guardian personnel will supply you with an RMA (return materials authorization) number over the telephone or through our web site product return page. This number must be included with your return address and the name of the person to contact.

Guardian Telecom
Toll-free 1-800-363-8010
Ph. (403) 258-3100
Fax. (403) 253-4967
www.guardiantelecom.com

Feedback

Guardian Telecom continually strives to make reliable, durable, and easy to use products. If you, as an installer or user of our equipment, have any suggestions for improvements to this or any of our products or documents, including this manual, we would appreciate hearing from you.

Guardian Product Return
Guardian products have been quality tested and are in full working order when shipped from the factory, given the rugged nature of these products shipping is not expected to damage a unit. In the unlikely event of a malfunction Guardian follows the three step procedure below.
<i>Step I - On-Site Correction</i>
<ul style="list-style-type: none"> • The most common source of difficulties with a new product is improper installation in one of two ways: incorrect wiring connections or connection to an incorrect power source. • Product wiring needs to be properly connected to the on-site wiring. Correct wiring instructions are shown in the user manual included with the product.
<i>Step II - Return Materials Authorization (RMA)</i>
<ul style="list-style-type: none"> • When a product has been installed following user manual instructions, and the unit fails to operate, the user must contact Guardian Telecom to obtain authorization to return the product. This can be done by completing a RMA form online at www.guardiantelecom.com, or by calling the service telephone number given in this manual. • After providing information on the product, the owner and the nature of the problem, Guardian will issue a RMA number, to be shown on documentation returned with the product. • In addition to the RMA number, shipping documents should include name, address and telephone number of the owner along with contact information for the person responsible for the repair and/or the user who identified the malfunction. • (Where a product is being returned for repair from outside of Canada, customs documentation must show the product's serial number, date of export [date of purchase], and a notation that the equipment is: "Canadian goods returning.")
<i>Step III - Factory Authorized Service</i>
<ul style="list-style-type: none"> • Once received, each product is carefully inspected and tested. If the product is under warranty, repairs are completed and the product returned to the owner, generally within five working days of receipt by the factory. • A product that has been subjected to misuse, neglect or accident or is beyond the warranty period will be evaluated. The service department will provide the owner's representative with a repair cost estimate. Once approved, repairs are completed and the product returned, generally within five working days.

Page/Talk System Models and Options

Indoor Handset Stations PTI-1 & PTI-5		P9035	AB1000 Glass Reinforced Plastic hood
P5550	Ambient noise sensor, single line	P9029	AB2000 Glass Reinforced Plastic full size
P5551	Ambient noise sensor, five line		
P5552	Ambient noise sensor, headset connector, single line		
P5553	Ambient noise sensor, headset connector, five line		
P5554	Single line		
P5555	Five line		
P5556	Headset connector, single line		
P5557	Headset connector, five line		
Outdoor Handset Stations PTO-1 & PTO-5			
P5560	Ambient noise sensor, single line		
P5561	Ambient noise sensor, five line		
P5562	Ambient noise sensor, headset connector single line		
P5563	Ambient noise sensor, headset connector five line		
P5564	Single line		
P5565	Five line		
P5566	Headset connector, single line		
P5567	Headset connector, five line		
Handset Explosion Proof Stations EXP-1 & EXP-5			
P5930	Ambient noise sensor, single line		
P5935	Ambient noise sensor, five line		
Indoor Speaker Amplifier Stations PSA-I			
P5570	Ambient noise sensor		
P5571	Speaker amplifier		
Outdoor Speaker Amplifier Stations PSA-O			
P5572	Ambient noise sensor		
P5573	Speaker amplifier		
Desk Set Amplifiers PDA			
P5580	Ambient noise sensor		
P5581	Speaker amplifier		
Desk Set Stations (Complete) PTD & PDA			
P5590	Ambient noise sensor, amplifier and single line desk set		
P5591	Ambient noise sensor, amplifier and five line desk set		
P5592	Amplifier and single line desk set		
P5593	Amplifier and five line desk set		
P5940	Telephone Interface PTI		
P5980	Line Balance Assembly LBU		
Alarm Tone Generator AG-17			
P5960	With Relay		
P5970	Without Relay		
Acoustic Booths			
P9010	AB100 Aluminum or Steel full size		

Cable

2 Conductor 18AWG Industrial Armored Speaker Cable
2 Conductor 18AWG Industrial Standard Speaker Cable

P006217 4 Conductor 18AWG Industrial Armored Speaker Cable

P006216 4 Conductor 18AWG Industrial Standard Speaker Cable

P005863 Heavy Duty 8 Conductor Armored Cable (Single Line Page/Talk)

P005916 Standard Duty 8 Conductor Cable (Single Line Page/Talk)

P005366 Heavy Duty 16 Conductor Armored Cable (Multi Line Page/Talk)

P005219 Standard Duty 16 Conductor Cable (Multi Line Page/Talk)

P006218 Heavy Duty 17 Conductor Armored Cable (Multi Line Page/Talk)

Loudspeakers

P7247 SR40 Explosion Proof (Class I, Div. 1) Metal Horn Speaker

GB406 8 Watt Indoor Plastic Wall Speaker

GCW4T 8 Watt Indoor Cabinet Speaker
GBL650 15 Watt Indoor Plastic Ceiling Speaker

GB640 20 Watt Indoor Metal Ceiling Speaker

GCAR6 10 Watt Metal Surface Mount Speaker

GHP15 15 Watt Outdoor Plastic Horn Speaker

GHS15 15 Watt Outdoor Metal Horn Speaker

GHS15IIN 15 Watt Hazardous Area (Zone 2) Metal Horn Speaker

GHP20S 20 Watt Hazardous Area (Zone 2) Plastic Horn Speaker

GBA56EExeN 6 Watt Hazardous Area (Zone 1) Indoor Metal Ceiling Speaker

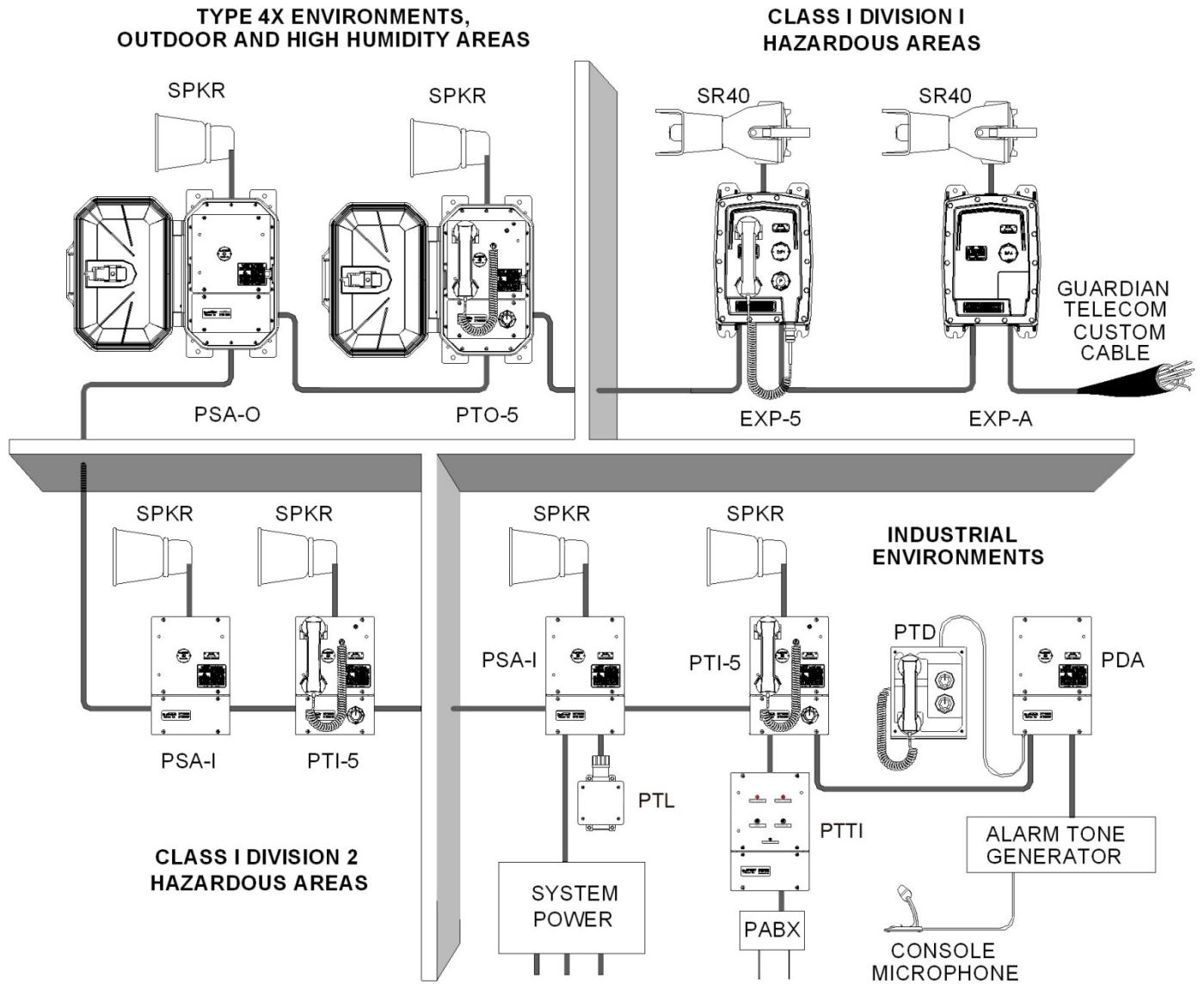
GCAPEEX6 6 Watt Hazardous Area (Zone 1) Metal Surface Mount Speaker

GHS15EExmN 15 Watt Hazardous Area (Zone 1) Metal Horn Speaker

GHS15ExdFM 15 Watt Hazardous Area (Class I, Div. 1) Metal Horn Speaker

AM15XD2 15 Watt Hazardous Area Speaker (Class I, Div. 2) Metal Horn Speaker

Typical Installation





Guardian Telecom
Toll-free 1-800-363-8010
Phone (403) 258-3100
Fax (403) 253-4967
www.guardiantelecom.com
E-mail: sales@guardiantelecom.com
(Click to open message box)

CONNECTED. PROTECTED.

© Guardian Telecom 2017