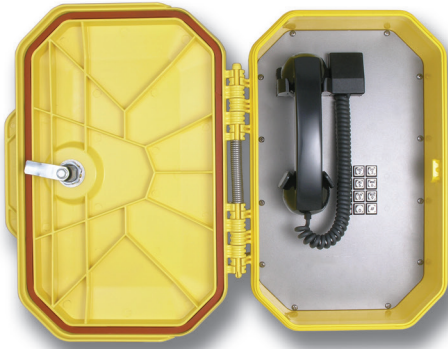




Optional key-lockable latch

WTT-30-H



WTT-30-H/WTT-40-H Hazardous Area Telephones WTR-41-H Hazardous Area Ringdown Telephones

FEATURES and BENEFITS

- Water/dust-tight thermoplastic resin enclosure, Type 4X & IP66
- Encapsulated circuitry impervious to water and particles
- Waterproof connections & stainless steel fittings for longer life
- Corrosion protected and powder coated steel faceplate
- The WTT-30-H & WTT-40-H models feature a metal keypad for extended life
- Magnetic reed hook-switch to reduce parts subject to wear
- Surge arrestor to prevent voltage spike damage
- Vandal resistant armored handset cord with lanyard on WTT-40-H & WTR-41-H models
- Heavy duty G Type industrial handset
- Electret noise reducing microphone for clear communication
- Modular parts for easy service
- Integrated mounting feet
- Hearing aid compatible & receiver volume adjustment
- Electronic ringer for reliability
- Tone or pulse dialing for universal configuration
- Easily connects to any single line analog CO or PBX telephone line
- Lift the WTR-41-H handset and PBX programming or an optional Autodialer routes the call to its assigned location
- Handset retainers to maintain on-hook status
- Spring loaded door
- Easy support drill guides for top & bottom mount glands

APPLICATIONS

Refineries

Marine Installations

Bulk Fuel Loading Facilities

Drilling Rigs

Offshore Platforms

Desert & Arctic Conditions

Chemical Plants

Aerospace Sites

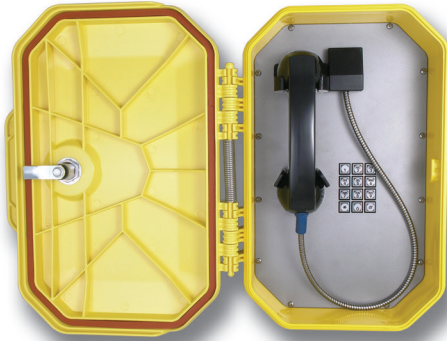
and more . . .

INSTALLATION and CONNECTABILITY

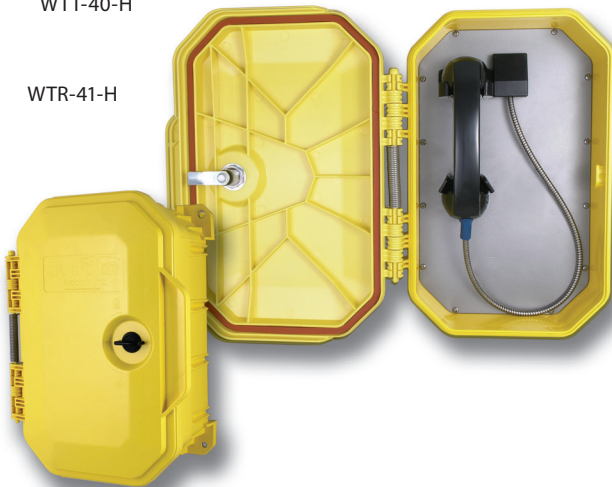
To provide flexibility and potential for growth, telephones are easily and economically connected to any telephone network by standard wiring and parts. Voice quality is unaffected when phones are connected within 15,000 feet (~4,600 meters) of a main telephone switch accepting single line telephones. Maintaining safety standards may require use of special wiring conduits or other considerations. Telephones are tone/pulse switchable. Initial setting is to tone prior to delivery (unless requested otherwise). In-service switching may require technical assistance.

ACCESSORIES

- Ring Detect Relays & Off-Hook Relays
- External ringer
- Visual alerter



WTT-40-H



WTR-41-H

Guardian's WTT-H/WTR-H SERIES Water Tight Industrial Telephone Series offer maximum efficiency under extreme environmental conditions. The sturdy thermoplastic resin enclosure protects the internal circuitry against wind blown dust, rain, corrosion, splashing and high pressure water.

With Type 4X & IP66 ratings these are ideal telephones for harsh conditions.

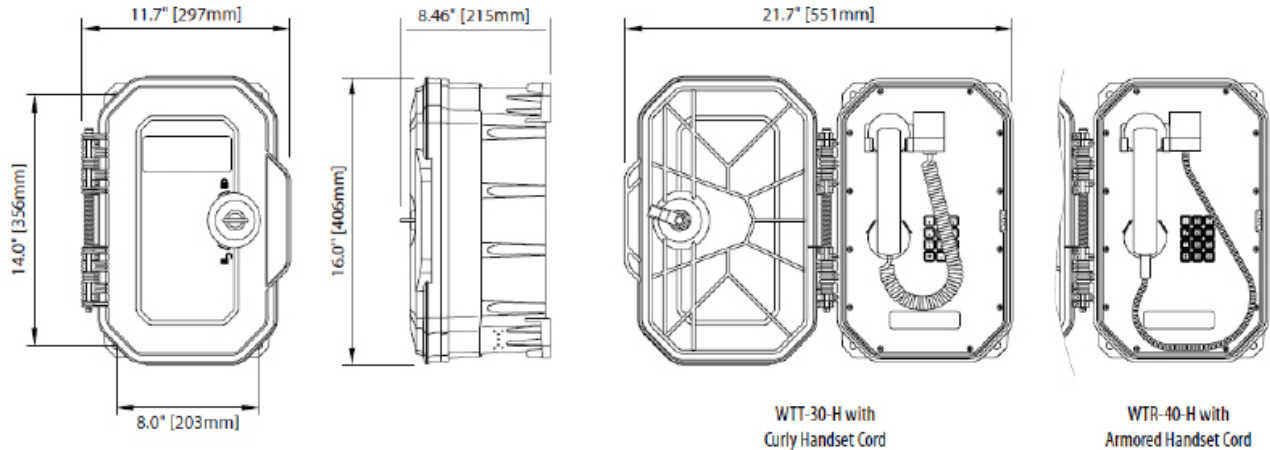
In addition to being certified for use in Class I, Division 2 applications, it has both Type 4X & IP66 ratings which make it ideal for use in offshore or corrosive atmospheres.



tough. trusted. true.



OVERALL DIMENSIONS



WTT-30-H & WTT-40-H Hazardous Area Telephones • WTR-41-H Hazardous Area Ringdown Telephone

ENGINEERING SPECIFICATIONS

ELECTRICAL PERFORMANCE

Audio Range Frequency Response	300 - 3400 Hz
Dialing Method (WTT-40-H)	DTMF or 40/60 Pulse @10 PPS
Transmit Objective Loudness Rating (TOLR)	Nominal -38 +/- 3 dB
Receiver Volume Adjustment	3 steps up / 2 steps down 8.1dB / 5.1 dB
Receiver Objective Loudness Rating (ROLR)	Nominal 50 +/- 3 dB
- receiver volume at maximum	41.9 +/- 3 dB
- receiver volume at minimum	55.4 +/- 3 dB
Side Tone Objective Loudness Rating (SOLR)	Nominal 11 +/- 4 dB
- receiver volume at maximum	7 +/- 4 dB
- receiver volume at minimum	14 +/- 4 dB
Ringer Output	85 dB
FCC Ringer Equivalence	0.9 B
Set Impedance	600 Ohms Nominal
Maximum Loop	15Kft (~4,600m) of 22 AWG Wire

ELECTRICAL REQUIREMENTS

Ringer Sensitivity	40 -100 V, 16 - 25 Hz
Line Voltage	24 - 56 VDC
Loop Current	20 - 120 mA
Connection Method	Fuse / Surge Arrestor

MECHANICAL SPECIFICATIONS

Hook Switch (Cradle Switch) Life	>1 000 000 Operations
Body Construction	Thermoplastic Resin
Net Weight	11.8 lbs (5.4 kg)
Shipping Weight	14.0 lbs (6.3 kg)
Shipping Dimensions (L x W x D)	20.0" x 15.0" x 12.0" (508 x 381 x 305 mm)
Hand Set Construction	High Impact Polycarbonate
Mounting	Vertical Wall
Microphone	Noise Reducing Electret
Receiver	Hearing Aid Compatible
Hardware Material	Stainless Steel
Connection Fittings	Up to 4 Drill Guides for Gland Support

ENVIRONMENTAL

Water/Dust Tight Enclosure	Type 4X & IP66
Operating Temperature	-40° to +140°F (-40° to +60°C)
Storage Temperature	-58° to +176°F (-50° to +80°C)

Humidity
Dust & Corrosion Resistant

0 - 95% RH Non-Condensing
Full Gasket Faceplate

COMPLIANCE



CSA 158194
Class I, Div. 2, Groups A, B, C and D;
Class I, Zone 2, Group IIC, T5

ORDERING INFORMATION

Warranty: Three years parts and labor

Order No.	Description
P5304	WTT-30-H Watertight Telephone/Metal Keypad/Curly Handset Cord
P5305	WTT-40-H Watertight Telephone/Metal Keypad/Armored Handset Cord
P5306	WTR-41-H Watertight Ringdown Telephone/Armored Handset Cord

Options

NC	Noise Canceling Microphone
LCK-WTE	Locking Door
VR-WTE	Vandal Resistant Faceplate Screws
Choice of enclosure colors*	
Custom embossed logo or smooth face for label*	
* minimum quantity required – consult with sales agent	

Distributed by:



GUARDIAN TELECOM, a division of CIRCA ENTERPRISES INC.
Calgary, Alberta, Canada
Telephone: 403 258-3100 Facsimile: 403 253-4967
1-800-363-8010 (North America)
info@guardiantelecom.com | www.guardiantelecom.com