

# EXP-A Page/Talk Explosion Proof Speaker Amplifier Station



## EXP-A SERIES

Guardian Telecom's EXP-A Explosion Proof Page/Talk Amplifier is designed to deliver safe, reliable, cost effective industrial communications in Class I and Class II Division 1 areas without the need for a paging station and are deemed to be hazardous due to the presence of flammable gasses, vapors or dust.

## FEATURES and BENEFITS

- Water/dust tight NEMA 4X explosion proof enclosure
- Copper Free Cast aluminum base and faceplate
- Durable powder coat paint
- Power supply 24 VDC or 24/120/230 VAC
- 4 - 16 Ohm speaker compatible
- Approved for Class I and II, Division 1 areas
- Monitors ambient noise and adjusts speaker volume automatically
- Removable screw and plug Combicon connectors allow for ease of installation

## CONTROLS

- Ambient noise level sensor
- Speaker volume output

## APPLICATIONS

This product is designed for use in locations with the highest hazardous area classification such as:

Mines  
Chemical Plants  
Refineries  
Drilling Rigs  
Defense Installations  
Cement Plants  
Bulk Loading Stations  
Pulp & Paper Mills  
and more . . .

Grain Processing and Similar Industries  
Power Generation Facilities  
Fertilizer Plants  
Food Processing Plants  
Sewage Plants  
Construction Sites  
Breweries & Distilleries  
Pharmaceutical Plants

## INSTALLATION and CONNECTABILITY

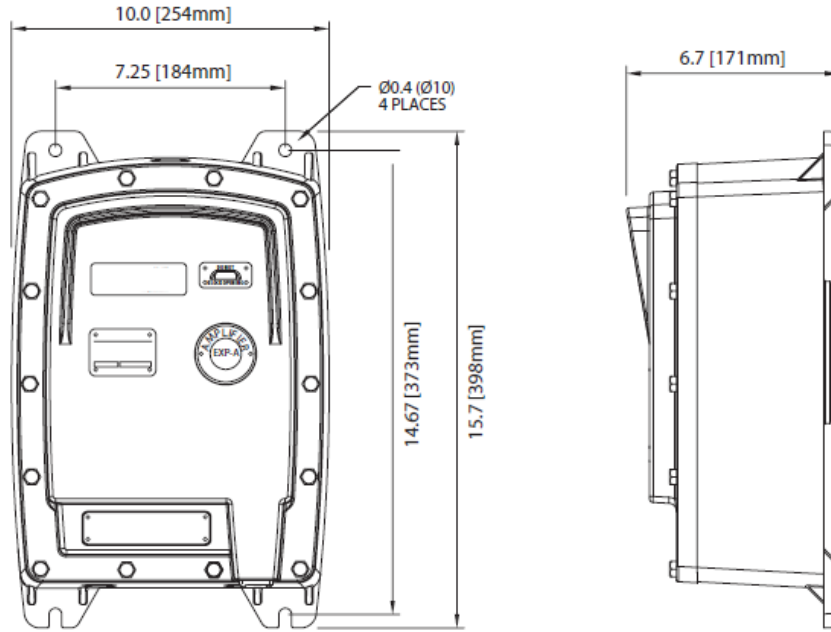
Guardian's EXP-A Explosion Proof Amplifier gives you the flexibility to set up a system based on exactly what you need – as well as the ability to integrate equipment already in place.

The EXP-A Explosion Proof Amplifier components connect through simple plugs and Guardian Telecom cable for easy installation. As part of an integrated system, the EXP-A Explosion Proof Amplifier also interfaces with existing detection, alarm and process control equipment.

Recommended speaker:  
SR40 (P7247) 30 watt  
16 Ohm Explosion Proof  
Class I & II, Division 1



## OVERALL DIMENSIONS



EXP-A Explosion Proof Speaker Amplifier Station

## ENGINEERING SPECIFICATIONS

### ELECTRICAL REQUIREMENTS

Input Voltage	20-29 VDC	20-26 VAC	90-140 VAC	200-260 VAC
Power Cycle	n/a	50/60 Hz	50/60 Hz	50/60 Hz
Fuse	1 Amp	1 Amp	0.5 Amp	0.25 Amp

### SPEAKER AMPLIFIER

Maximum Output Power	12 Watts RMS
Amplifier Gain	50 dB
Frequency Response	250 - 4000 Hz
Distortion	1.0% Maximum THD @ 1000 Hz
Input Impedance	200K Ohms Nominal

### MECHANICAL SPECIFICATIONS

Body Construction	Copper Free Cast Aluminum
Finish	Powder Coated
Body Dimensions (H x W x D)	15.7" x 10" x 6.7" (398 x 254 x 171 mm)
Net Weight	28 lbs (12.3 kg)
Shipping Weight	36.0 lbs (16.4 kg)
Shipping Dimensions (L x W x D)	20.0" x 15.0" x 11.5" (508 x 381 x 293 mm)
Mounting	Vertical Wall
Connection to System	Conduit or Cable Gland

### ENVIRONMENTAL

Weather Proof Enclosure	CSA Type 4X
Temperature	-40° to +140° F (-40° to +60° C)
Humidity	0 - 95% RH Non-Condensing

### CSA COMPLIANCE (Canada and United States)

Class 4818 02	– Signal Appliances – Audible – For Hazardous Locations
Class 4818 82	– Signal Appliances – Audible – For Hazardous Locations Certified to US Standards
Canada:	Class I, Div. 1, Groups B, C and D; Class II, Div. 1, Groups E, F and G
United States:	Class I Zone 1 Ex d IIB+H2 T5
	Class I Zone 1 AEx d IIB+H2 T5; Class II Zone 21

### ORDERING INFORMATION

Warranty: Three year parts and labor

Order No.	Description
EXP-A	Page/Talk Explosion Proof Amplifier Station
P5982	EXP-A Amplifier Station, 120 VAC
P5987	EXP-A Amplifier Station, 230VAC
P5988	EXP-A Amplifier Station, 24VAC
P5989	EXP-A Amplifier Station, 24VDC

Distributed by:



GUARDIAN TELECOM, a division of CIRCA ENTERPRISES INC.  
 Calgary, Alberta, Canada  
 Telephone: 403 258-3100 Facsimile: 403 253-4967  
 1-800-363-8010 (North America)  
 info@guardiantelecom.com | www.guardiantelecom.com