

# EXP Page/Talk Explosion Proof Stations



EXP Page/Talk  
Explosion Proof  
Five Line Station

## FEATURES and BENEFITS

- Approved for Class I and II, Division 1 areas
- Water tight and dust protected explosion proof enclosure
- Power supply 24 VDC or 24/120/230 VAC
- Cast aluminum base and faceplate ( copper free )
- Page-switch on faceplate
- Noise canceling microphone
- Electronic hook switch provides durability
- Durable powder coat paint ( standard color shown )
- Side tone adjustment
- 12 watt speaker amplifier
- Monitors ambient noise and adjusts speaker volume automatically
- Removable screw and plug Combicon connectors allow for ease of installation
- Single line or multi line ( 5 lines )
- Can replace or be added to existing systems provided by several other manufacturers

## APPLICATIONS

This product is designed for use in locations with the highest hazardous area classification such as:

- |                       |   |
|-----------------------|---|
| Mines                 | Grain Processing and Similar Industries |
| Chemical Plants       | Power Generation Facilities             |
| Refineries            | Fertilizer Plants                       |
| Drilling Rigs         | Food Processing Plants                  |
| Defense Installations | Sewage Plants                           |
| Cement Plants         | Construction Sites                      |
| Bulk Loading Stations | Breweries & Distilleries                |
| Pulp & Paper Mills    | Pharmaceutical Plants                   |
- and more . . .

## EXP SERIES

Guardian Telecom's EXP Explosion Proof Page/Talk Stations are designed to provide communication in Class I and Class II Division 1 areas.

Class I and Class II Division 1 areas are deemed to be hazardous due to the presence of flammable gasses, vapors, dust or fibers.

Easy to operate paging with the versatility of one or five talk lines. Individuals can be paged from any station and two or more people can communicate simultaneously on any available talk line.

## INSTALLATION and CONNECTABILITY

Guardian's EXP Explosion Proof Station gives you the flexibility to set up a system based on your needs – as well as the ability to integrate equipment already in place. The EXP Explosion Proof Station components connect through simple plugs and Guardian Telecom cable for easy installation. As part of an integrated system, the EXP Explosion Proof Station also interfaces with existing detection, alarm and process control equipment.

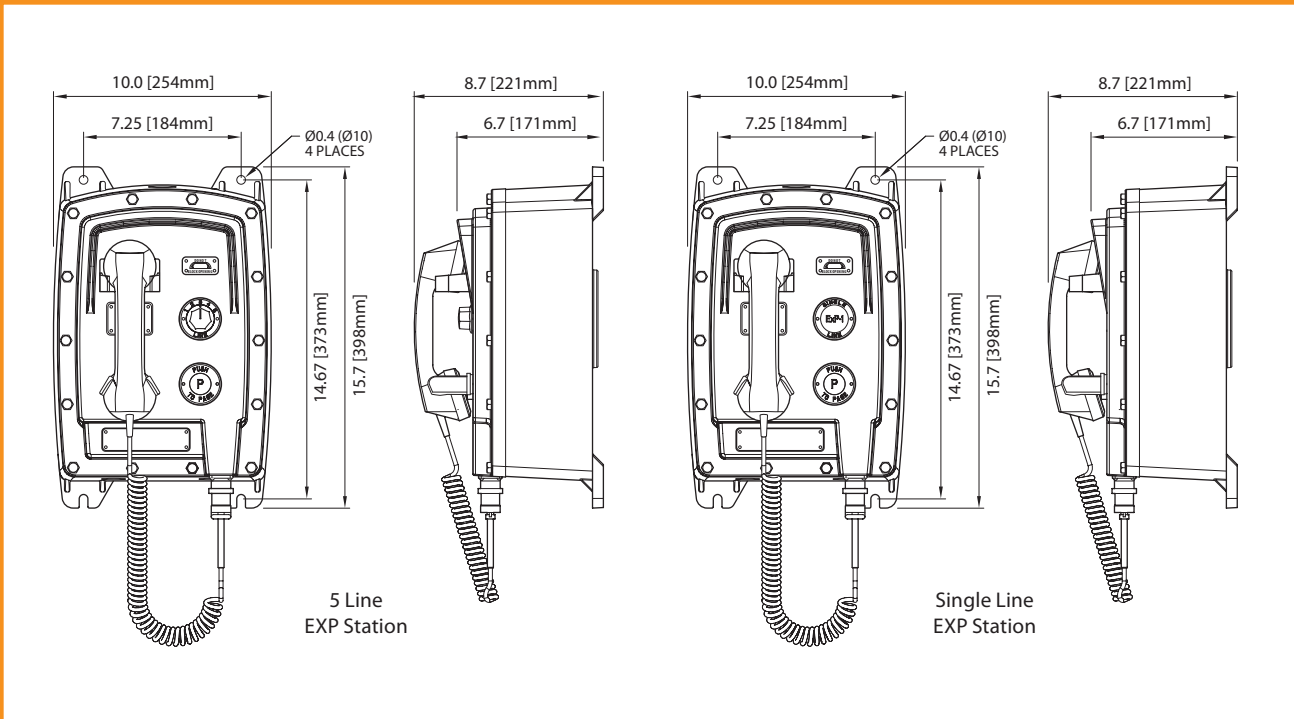
Recommended speaker:  
SR40 (P7247) 30 watt 16 OHM  
Explosion Proof Class I & II,  
Division 1



tough. trusted. true.



## OVERALL DIMENSIONS



EXP Page/Talk Explosion Proof Stations

## ENGINEERING SPECIFICATIONS

### ELECTRICAL REQUIREMENTS

Input Voltage	20-29 VDC	20-26 VAC	90-140 VAC	200-260 VAC
Power Cycle	n/a	50/60 Hz	50/60 Hz	50/60 Hz
Current	0.5 Amp	0.5 Amp	0.1 Amp	0.05 Amp
Fuse	1 Amp	1 Amp	0.5 Amp	0.25 Amp

### HANDSET AMPLIFIER

Transmit Gain	50 dB
Frequency Response	250 - 4000 Hz
Distortion	1.0% Maximum THD @ 1000 Hz at Maximum Output

### SPEAKER AMPLIFIER

Maximum Output Power	12 Watts
Amplifier Gain	50 dBm 0.5 RMS at Rated Output
Frequency Response	250 - 4000 Hz
Distortion	1.0% Maximum THD @ 1000 Hz at Maximum Output
Input Impedance	200K Ohms Nominal

### MECHANICAL SPECIFICATIONS

Body Construction	Copper-free Cast Aluminum & Powder Coated
Net Weight	30 lbs ( 13.6 kg )
Shipping Weight	38.0 lbs ( 17.3 kg )
Shipping Dimensions ( L x W x D )	20.0" x 15.0" x 11.5" ( 508 x 381 x 293 mm )
Mounting	Vertical Wall
Connection Fittings	Conduit or Cable Gland

### ENVIRONMENTAL

Weather Proof Enclosure	CSA Type 4X
Temperature	-40° to +140° F ( -40° to +60° C )
Humidity	0 - 95% RH Non-Condensing

### CSA COMPLIANCE (Canada and United States)

Class 4818 02	– Signal Appliances – Audible – For Hazardous Locations
Class 4818 82	– Signal Appliances – Audible – For Hazardous Locations Certified to US Standards
	Class I, Div. 1, Groups B, C and D; Class II, Div. 1, Groups E, F and G
Canada:	Class I Zone 1 Ex d IIB+H2 T5
United States:	Class I Zone 1 AEx d IIB+H2 T5; Class II Zone 21

### ORDERING INFORMATION

Warranty: Three year parts and labor

EXP	Page/Talk Explosion Proof Station	
Order No.	Description	
P5930	EXP	Single Line Paging Station, 120 VAC
P5931	EXP	Single Line Paging Station, 230 VAC
P5932	EXP	Single Line Paging Station, 24VAC
P5933	EXP	Single Line Paging Station, 24 VDC
P5935	EXP	Five Line Paging Station, 120 VAC
P5936	EXP	Five Line Paging Station, 230 VAC
P5937	EXP	Five Line Paging Station, 24 VAC
P5938	EXP	Five Line Paging Station, 24VDC

Distributed by:



GUARDIAN TELECOM, a division of CIRCA ENTERPRISES INC.  
 Calgary, Alberta, Canada  
 Telephone: 403 258-3100 Facsimile: 403 253-4967  
 1-800-363-8010 (North America)  
 info@guardiantelecom.com | www.guardiantelecom.com