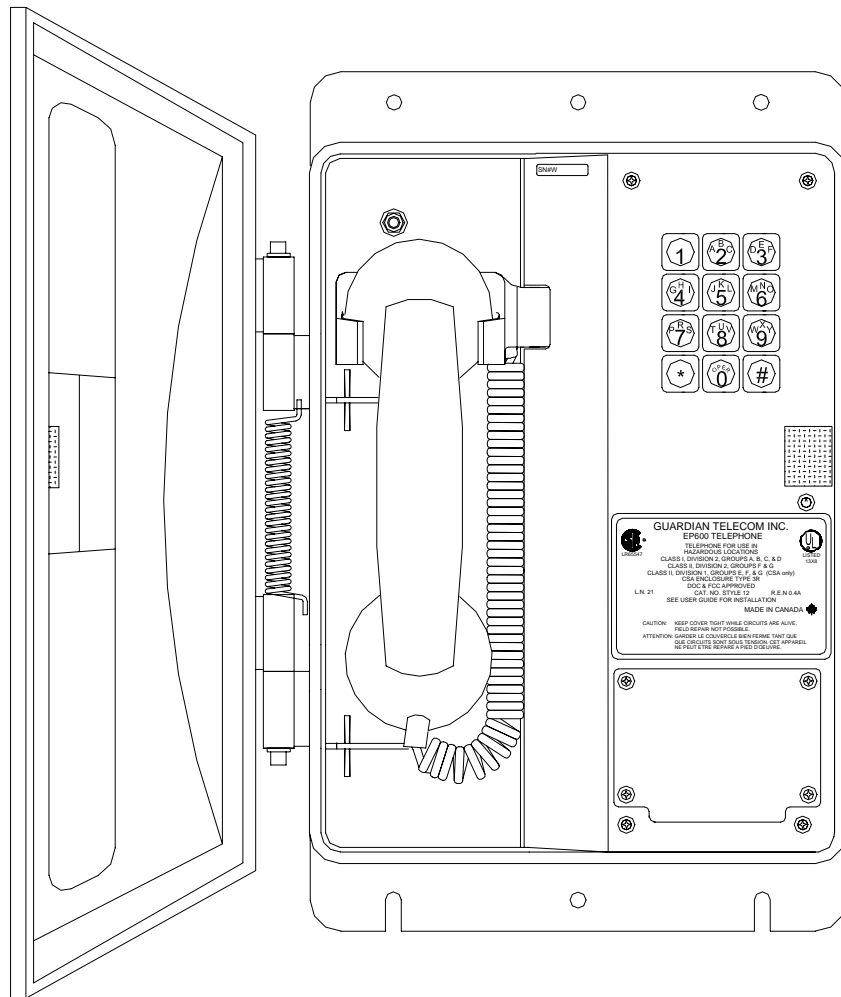


# Hazardous Area Telephone

## Model EP600

### Installation and Operation



## **Table of Contents**

Package Contents .....	2
Overview .....	3
Features .....	3
Installing the EP600 .....	5
Maintenance.....	5
Operation .....	6
Setting Tone/Pulse Operation .....	6
Engineering Specifications .....	7
Warranty.....	9
Disclaimer .....	9
Warning.....	9
Service Telephone Number.....	9
Feedback .....	9
Guardian Product Return .....	10

## **Table of Figures**

Figure 1 - Overall Dimensions.....	4
Figure 2 - Installation.....	4
Figure 3 - Setting Tone/Pulse Operation.....	6

## **Package Contents**

- (1) EP600 Telephone
- (1) Installation & Operation Manual

## **Overview**

### ***Hazardous Area Telephone***

The EP600 Telephone is designed to provide safe, reliable communication in Class 1, Division 2, hazardous locations. The unit is housed in a rugged, weather and corrosion resistant enclosure that ensures operation in severe conditions.

## **Features**

### ***Enclosure***

- weather tight, rugged Valox & steel
- spring loaded hinged door
- stainless steel mounting bracket

### ***Keypad***

- standard 3 x 4 matrix

### ***Magnetic Reed Hook Switch***

- no moving parts

### ***Surge Arrestor***

- prevents damage to the electronic circuitry in the event of a high voltage spike on the telephone line

### ***Wall Mount***

- easily mounted on any sturdy vertical structure

### ***Noise Reducing Microphone***

- allows a high level of intelligibility in locations with high background noise

### ***Tone (DTMF) Operation***

- factory set to tone (DTMF) dialing
- can be ordered set for pulse dialing or configured in the field

### ***Heavy Duty Handset Cord***

- withstands severe use

### ***Hearing-Aid Compatible***

- compatible with inductively coupled hearing-aid devices

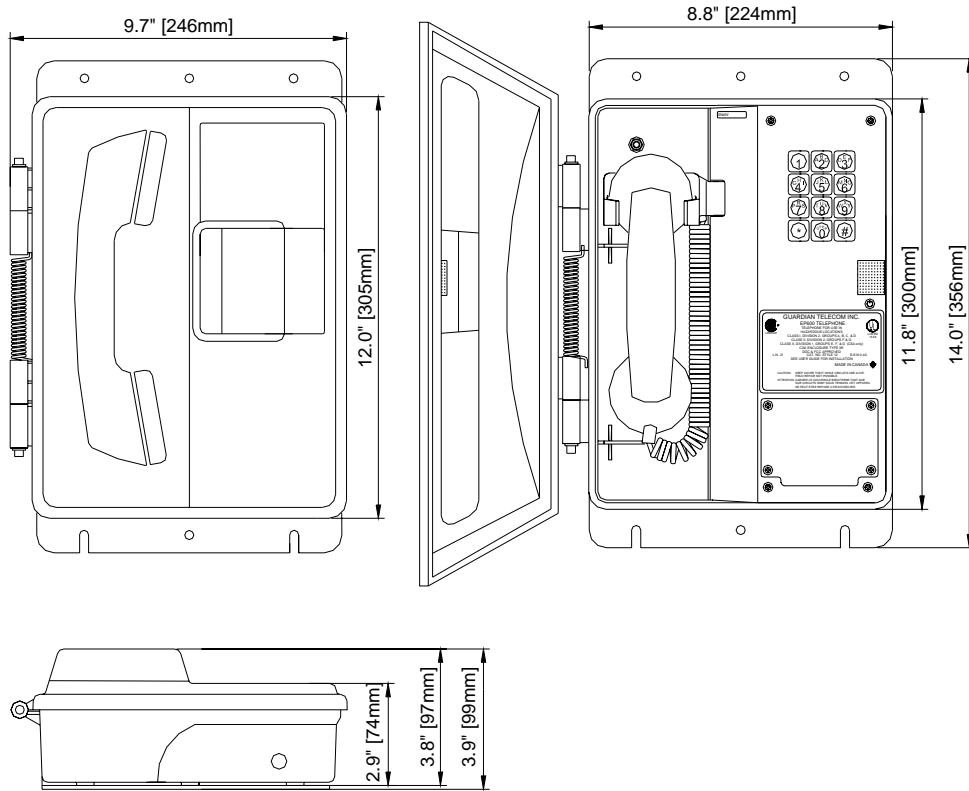


Figure 1 - Overall Dimensions

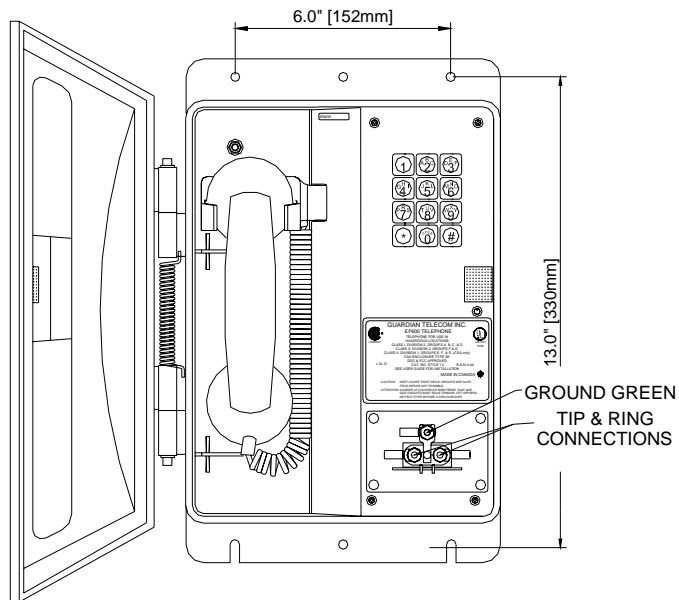


Figure 2 - Installation

### Installing the EP600

- **Declassify the hazardous location before proceeding with any installation or electrical wiring.**
- The EP600 is set to tone dialing when shipped. If pulse dialing is required see the section on Setting Tone/Pulse Operation.
- Follow all appropriate electrical codes and use only approved electrical fittings for the installation.
- Choose a wall location that is free of obstructions and permits space for ½” NPT conduit runs.
- Ensure mounting can support 5 lbs (2.3 kgs) and any foreseeable additional load.
- Ensure that none of the electrical connection circuits are live.
- Use the template provided or the stainless steel mounting bracket to locate and drill holes for mounting screws.
- Secure the unit to the wall.
- Open the door and remove the four #8 Philips drive screws on the access plate.
- Connect an approved earth ground to the center post of the surge arrestor.
- Connect the wires from the PABX or CO to the tip and ring connections on the surge arrestor. (The unit is not polarity sensitive.)
- Ensure all connections are tight, then replace the access plate and secure with the four #8 Philips drive screws.
- Apply power to the system.
- Test the unit by calling from another unit on the exchange.

**Caution:** *Installation or electrical wiring in a hazardous location could result in serious injury to personnel or damage to property.*

**See:** *Setting Tone/Pulse Operation*

**See:** *EP600 Drawing, Figure 1 - Overall Dimensions.*

**See:** *EP600 Drawing, Figure 1 - Overall Dimensions.*

**Tip:** *Use #8 or M4 screws to secure the unit to the wall.*

**See:** *Figure 2 - Installation*

### Maintenance

- **Declassify the hazardous location before proceeding with any maintenance or repairs.**
- To maintain hazardous area compliance the only field adjustment permitted is to change the tone/pulse setting. All other repairs or alterations must be carried out by Guardian Telecom or an Authorized Service Depot.

**See:** *Warranty and Guardian Product Return*

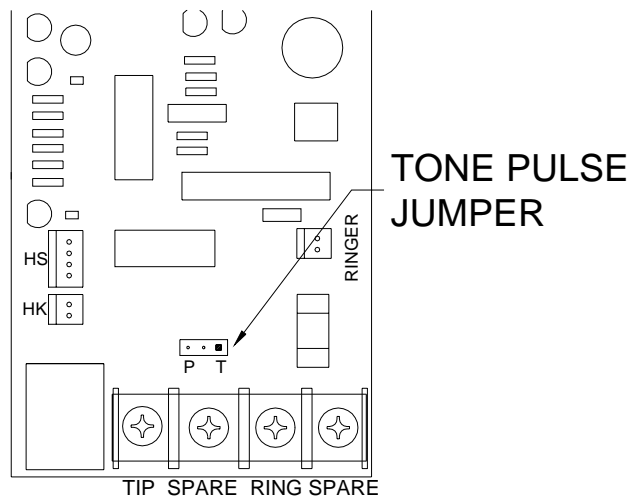
**Operation**

- Once your Model EP600 Telephone has been properly installed and energized, operation is identical to most other single line telephones.

**Setting Tone/Pulse Operation**

- Ensure that none of the electrical connection circuits are live.
- Loosen the five captive screws in the faceplate and swing the faceplate to the left. If the set is installed on a vertical surface the faceplate will stay open like a book in this position. Take care not to disturb the internal wiring.
- Set the Tone/Pulse jumper for the desired operation. For pulse, set jumper between the center pin and the "P", for tone set it between the center pin and "T".
- Replace the faceplate.
- Check the set visually for loose screws and trapped wires. Check that the handset hangs freely in the cradle and that the handset cord is not trapped by the door.
- Check that the faceplate is snug to its gasket, paying particular attention to the area around the cradle. Check that the door closes flush to the housing.
- Apply power to the system.
- Test the unit by calling to and from another unit on the exchange.

*See: Figure 3 - Setting Tone/Pulse Operation*



**Figure 3 - Setting Tone/Pulse Operation**

<b>Engineering Specifications</b>	
<b><i>Electrical Performance</i></b>	
AUDIBLE RANGE FREQUENCY RESPONSE	300 - 3400 Hz
DIALING METHOD	DTMF TONE or 40/60 PULSE AT 10 PPS
TRANSMIT OBJECTIVE LOUDNESS RATING (TOLR)	-40 +/- 3 dB
RECEIVE OBJECTIVE LOUDNESS RATING (ROLR)	47 +/- 3 dB
SIDE TONE OBJECTIVE LOUDNESS RATING (SOLR)	10 +/- 4 dB
RINGER OUTPUT	75 dB Maximum
FCC RINGER EQUIVALENCE NUMBER (REN)	0.7 B (mechanical bell)
SET IMPEDANCE	600 OHMS NOMINAL
MAXIMUM LOOP	15 Kft (4.6 Km)
<b><i>Electrical Requirements</i></b>	
RINGER SENSITIVITY	40 - 100 V, 16 - 25 Hz
LINE VOLTAGE	24 - 56 VDC
LOOP CURRENT	20 - 120 MA
CONNECTION METHOD	SURGE ARRESTOR
<b><i>Environmental</i></b>	
WEATHER AND CORROSION RESISTANT	ENCLOSURE 3R
TEMPERATURE	-40° TO +60° C (-40° TO +140° F)
HUMIDITY	0 TO 95% RH
DUST RESISTANT	CLASS II HAZARDOUS LOCATIONS
<b><i>Mechanical</i></b>	
HOOK SWITCH (CRADLE SWITCH) LIFE	>1 000 000 OPERATIONS
BODY CONSTRUCTION	GE VALOX 357 <sup>R</sup> ENGINEERING POLYMER
FACEPLATE	STAINLESS STEEL
DIMENSIONS (H x W x D)	14 x 9.7 x 3.9 INCHES (356 x 246 x 99 MM)
NET WEIGHT	5 LBS (2.3 KG)
HANDSET MATERIAL	HIGH IMPACT ABS
MICROPHONE	NOISE REDUCING ELECTRET
OPTIONAL MICROPHONE	NOISE CANCELING DYNAMIC
RECEIVER	HEARING AID COMPATIBLE
STANDARD MOUNTING	VERTICAL WALL
CONNECTION FITTINGS	1/2" NPT CONDUIT HUB
HARDWARE MATERIAL	STAINLESS STEEL

<b>Compliance</b>	
CANADIAN STANDARDS ASSOCIATION (CSA)	REFERENCE NUMBER: LR65547-23
STYLE 12	CLASS I, DIVISION 2, GROUPS A, B, C AND D CLASS I, ZONE 2, GROUP IIC CLASS II, DIVISION 1 & 2, GROUPS E, F AND G
STYLE 21	CLASS II, DIVISION 1, GROUPS E, F AND G
STYLE 22	CLASS II, DIVISION 2, GROUP G
UNDERWRITERS LABORATORIES (UL)	LISTED 13X8 & E117495
STYLE 12	CLASS I, DIVISION 2, GROUPS A, B, C AND D CLASS II, DIVISION 2, GROUPS F AND G
STYLE 22	CLASS II, DIVISION 2, GROUPS F & G
CONFORMITÉ EUROPÉENNE (CE)	
STYLE 12	EMC DIRECTIVE 89/336/EEC LOW-VOLTAGE DIRECTIVE 73/23/EEC ATEX DIRECTIVE 94/9/EC
ENCLOSURE	CSA 3R

**GUARDIAN TELECOM INC.**



LR65547

CLASS I, DIVISION 2  
GROUPS A, B, C, & D  
CLASS 1 ZONE 2 GROUP IIC  
CLASS II, DIVISION 1 & 2  
GROUPS E, F, & G

**EP600 TELEPHONE**

TELEPHONE FOR USE IN  
HAZARDOUS LOCATIONS



LISTED 13X8

CLASS I, DIVISION 2  
GROUPS A, B, C, & D  
CLASS 1 ZONE 2 GROUP IIC  
CLASS II, DIVISION 2  
GROUPS F & G

CSA ENCLOSURE TYPE 3R  
DOC & FCC APPROVED  
CAT. NO. STYLE 12

R.E.N 0.4A L.N. 21

SEE USER GUIDE FOR INSTALLATION

MADE IN  CANADA

**CAUTION:** KEEP COVER TIGHT WHILE CIRCUITS ARE LIVE.  
FIELD REPAIR NOT POSSIBLE.

**ATTENTION:** GARDER LE COUVERCLE BIEN FERME TANT QUE  
LES CIRCUITS SONT SOUS TENSION. CET APPAREIL  
NE PEUT ETRE REPARÉ A PIED D'OEUVRE.

Figure 4 - I.D. and Compliance, (Style 12 only)



### **Warranty**

Guardian Telecom warrants your product to be free of defects in material and workmanship for a period of one year. Guardian Telecom will repair or replace any defective unit that is under warranty

This warranty is null and void if any non-authorized modifications have been made to this product, or if it has been subjected to misuse, neglect, or accident. This warranty covers bench repairs only; such repairs must be made at Guardian Telecom or an authorized service depot. Guardian Telecom is not responsible for costs incurred for on-site service calls, freight, or brokerage.

***A return authorization must be obtained prior to warranty claims or repairs.***

### **Disclaimer**

The products covered by this manual are designed for use in Industrial Environments and/or Hazardous Locations. Due to the range of possible applications for these instruments the manufacturer will not be responsible for damages or losses of any kind suffered as a result of the use of this product, including consequential damages.

### **Warning**

For the purposes of installing the product and replacing fuses this device may be opened and reassembled by qualified personnel, following the instructions in the product manual. In the cases of explosion proof and hazardous area devices it is imperative that mating surfaces be clean and undamaged prior to reassembly and that fasteners be made up to the specified torque.

**High voltages may be present in this device when connected to telephone wiring**

### **Service Telephone Number**

**1-800-363-8010**

Guardian Telecom provides a customer service telephone number which is toll-free within North America. If you need assistance when installing or operating this product, please call the toll-free telephone number between regular business hours (8:00AM-5:00PM), Mountain Standard Time. If you are calling outside of regular business hours, please leave a detailed message, and a member of Guardian Telecom's Service Department will return your call as soon as possible. If your product requires service, Guardian personnel will supply you with an RMA (return materials authorization) number over the telephone or through our web site product return page. This number must be included with your return address and the name of the person to contact.

**Guardian Telecom Inc.  
7552 - 10th Street N.E.  
Calgary, Alberta, Canada T2E 8W1  
Toll-free 1-800-363-8010  
Ph. (403) 258-3100  
Fax. (403) 253-4967  
[www.guardiantelecom.com](http://www.guardiantelecom.com)**

### **Feedback**

Guardian Telecom continually strives to make reliable, durable, and easy to use products. If you, as an installer or user of our equipment, have any suggestions for improvements to this or any of our products or documents, including this manual, we would appreciate hearing from you.

<b>Guardian Product Return</b>
<p>Guardian products have been quality tested and are in full working order when shipped from the factory, given the rugged nature of these products, shipping is not expected to damage a unit. In the unlikely event of a malfunction, Guardian follows the three step procedure below.</p>
<p><b><i>Step I - On-Site Correction</i></b></p>
<ul style="list-style-type: none"> <li>• The most common source of difficulties with a new product is improper installation in one of two ways: incorrect wiring connections or connection to an incorrect power source.</li> </ul>
<ul style="list-style-type: none"> <li>• Product wiring needs to be properly connected to the on-site wiring. Correct wiring instructions are shown in the user manual included with the product.</li> </ul>
<ul style="list-style-type: none"> <li>• Connecting a telephone to a standard power source, rather than tip &amp; ring, will blow the telephone's internal, user-replaceable fuse. In the event of fuse burn-out, disconnect the telephone from the power source, replace the fuse, and reconnect following the wiring diagrams provided with the product.</li> </ul>
<p><b><i>Step II - Return Materials Authorization (RMA)</i></b></p>
<ul style="list-style-type: none"> <li>• When a product has been installed following user manual instructions, and the unit fails to operate, the user must contact Guardian Telecom to obtain authorization to return the product. This can be done by completing a RMA form online at <a href="http://www.guardiantelecom.com">www.guardiantelecom.com</a>, or by calling the service telephone number given in this manual.</li> </ul>
<ul style="list-style-type: none"> <li>• After providing information on the product, the owner and the nature of the problem, Guardian will issue a RMA number, to be shown on documentation returned with the product.</li> </ul>
<ul style="list-style-type: none"> <li>• In addition to the RMA number, shipping documents should include name, address and telephone number of the owner along with contact information for the person responsible for the repair and/or the user who identified the malfunction.</li> </ul>
<ul style="list-style-type: none"> <li>• (Where a product is being returned for repair from outside of Canada, customs documentation must show the product's serial number, date of export [date of purchase], and a notation that the equipment is: "Canadian goods returning.")</li> </ul>
<p><b><i>Step III - Factory Authorized Service</i></b></p>
<ul style="list-style-type: none"> <li>• Once received, each product is carefully inspected and tested. If the product is under warranty, repairs are completed and the product returned to the owner, generally within five working days of receipt by the factory.</li> </ul>
<ul style="list-style-type: none"> <li>• A product that has been subjected to misuse, neglect or accident or is beyond the warranty period will be evaluated. The service department will provide the owner's representative with a repair cost estimate. Once approved, repairs are completed and the product returned, generally within five working days.</li> </ul>





**Guardian Telecom Inc.  
7552 - 10th Street N.E.  
Calgary, Alberta, Canada T2E 8W1  
Toll-free 1-800-363-8010  
Ph. (403) 258-3100  
Fax. (403) 253-4967  
[www.guardiantelecom.com](http://www.guardiantelecom.com)  
E-mail: [sales@guardiantelecom.com](mailto:sales@guardiantelecom.com)**

***Industrial Communications Worldwide***