

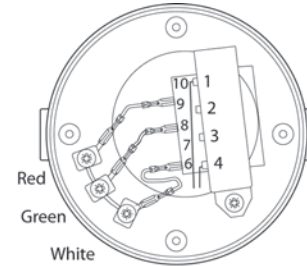
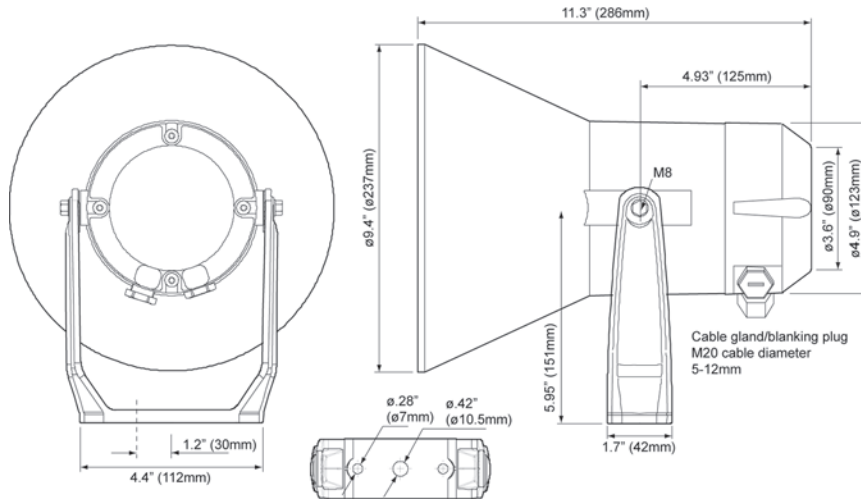


Horn Loudspeakers

PLASTIC HORNS

P-HP-20(T)

Bracket and all outside nuts and bolts in stainless steel.



70/100 volt combined transformer:

Primary connections:

White : Green 70 V

White : Red 100 V

Secondary nominal tapings:

1 : 4 20.0 W 2 : 4 3.5 W

1 : 3 15.0 W 2 : 3 2.0 W

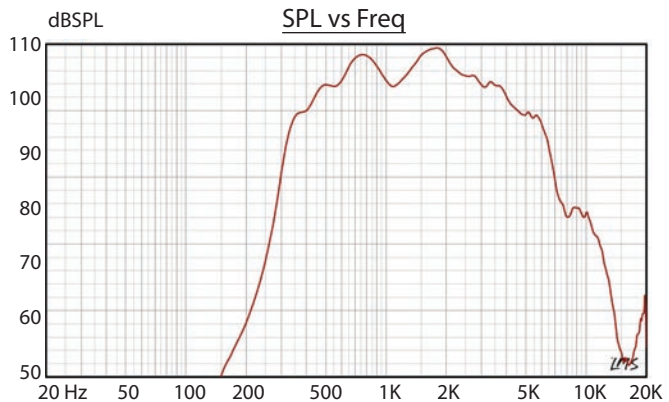
1 : 2 7.5 W

8 ohm version available

Specifications

| | |
|-------------------------------|-------------------------------|
| Material/Color | Polyamide/ RAL 7035 |
| Mounting | Bracket |
| Termination | Inside screw connections |
| Weight w/transformer | 4.7 lbs (2.1 kg) |
| IP-rating (UL Equivalent) | 67 |
| Max. / min. amb. temp | 302°F / -58°F (150°C / -50°C) |
| Rated / max. power | 20W / 25 W |
| SPL 1W/1m | 110 dB |
| SPL rated power | 122 dB |
| Effective freq. range | 310- 8000 Hz |
| Dispersion (-6dB) 1kHz / 4kHz | 115° / 30° |
| Options | Impedances, colors, labels |

Sound pressure levels 1W/1m sine wave



Installation, Operation and Maintenance Procedures

- Unscrew lid (4 screws). Lead cable through cable gland and connect to screw terminal (100 V or 70 V)
- Tapp transformer to wanted power. Tighten cable gland to ensure IP-Grade
- Fasten lid with a torque of 2 - 3 Nm.
- Fasten bracket with 1- 3 screws.
- To change the position of the loudspeaker adjust the bracket (by loosening / tightening the screws) as required.
- For optimum performance, always use the correct voltage / power and operate within the frequency limits as stated.
- **Do not** open loudspeaker when energized.
- This loudspeaker is supplied with a 2 year warranty against defective materials and workmanship.



The Manufacturer reserves the right to alter specifications without notice.

