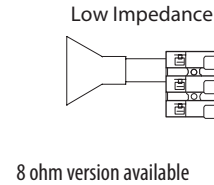
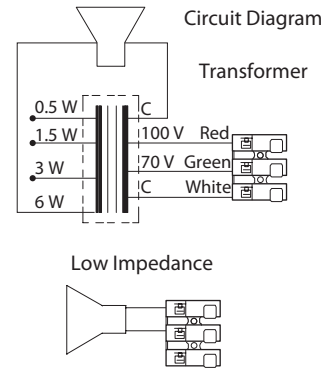
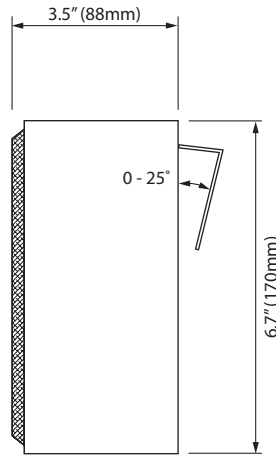
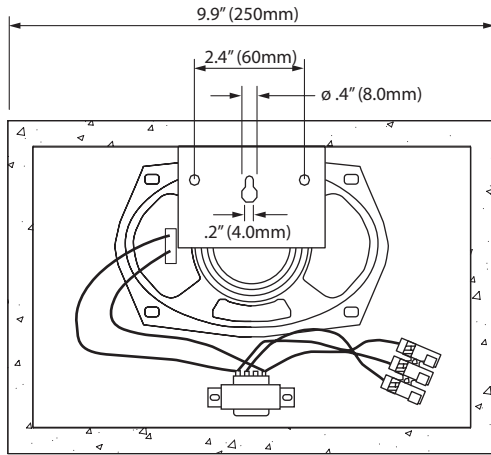




Cabinet Loudspeakers

P-CW-4(T)



70/100 volt combined transformer:

Primary connections:

White : Green 70 V
White : Red 100 V

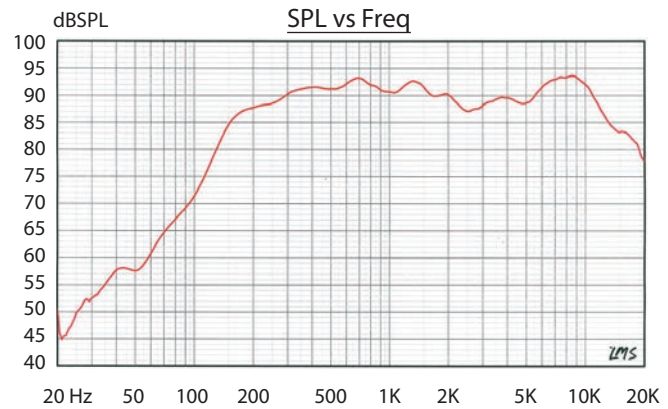
Secondary nominal tapings:

C : 6 6.0 W C : 1.5 1.5 W
C : 3 3.0 W C : 0.5 0.5 W

Specifications

| | |
|---------------------------------|------------------------------|
| Material / Color | Particle board / walnut |
| Mounting | Screws, keyhole |
| Termination | Spring clamps |
| Weight | 2.8 lbs (1.25 kg) |
| Max. / min. ambient temperature | 194°F / -4 °F (90°C / -20°C) |
| Rated / max. power | 6W / 8 W |
| SPL 1W/1m | 90 dB |
| SPL rated power | 97 dB |
| Effective freq. range | 150 – 20000 Hz |
| Dispersion (-6dB) 1kHz / 4kHz | 140° / 80° |
| Options | Impedances, colors, labels |

Sound pressure levels at 1W/1m w/P-4x6



Installation, Operation and Maintenance Procedures

- Connect to terminal (70 V or 100 V) and select required tapping in to the transformer.
- Screw the bracket on the wall, and fasten the cabinet to the bracket with one screw.
- For optimum performance, always use the correct voltage / power and operate within the frequency limits as stated.
- **Do not** open the loudspeaker when energized.
- This loudspeaker is supplied with a 2 year warranty against defective workmanship.



The Manufacturer reserves the right to alter specifications without notice.

