

Wide-Range Paging Speakers

P-CS-154/U



P-CS-154/U

TOA P-CS-154/U WIDE-RANGE PAGING SPEAKERS are ideal for indoor and outdoor commercial sound system applications for voice paging, background music and tone signaling distribution.

Compared to traditional metal paging horns, P-CS-154/U Series speakers offer wider frequency range and superior sound quality.

Each P-CS-154/U model includes a built-in 70.7V/100 V transformer with screwdriver-adjustable power taps. Fully weather-resistant to withstand demanding environmental conditions with a sealed enclosure, full range moisture-resistant cone speaker, stainless-steel mounting hardware and a protective mesh grille.

The enclosure is also coated with polyurethane resin paint to resist the fading effects of prolonged exposure to ultraviolet light.

The P-CS-154/U Wide-Range Paging Speakers are backed with a five year manufacturer's warranty.

Applications

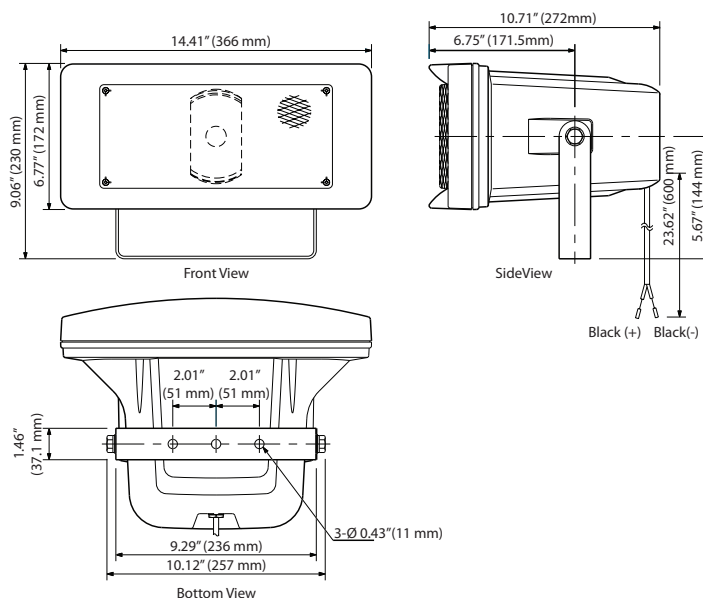
Boats	Churches
Industrial	Mobile Vehicles
Parking Facilities	Parks
Schools	Security
Sporting Facilities	Swimming Pools

Highlights

- Wide-Range Paging Speakers for voice paging, background music and tone signaling distribution
- Weather-Resistant to withstand demanding environmental conditions
- UL Listed - UL 1480 (UEAY, outdoor use)
- Constant Directivity Coverage
- High Sensitivity: up to 98 dB (1 W/1 m)
- Moisture-Resistant Speaker Component (4.72")
- Built-In 70.7 V/100 V Transformer with screwdriver-adjustable power taps
- Lightweight, Sealed Enclosure prevents moisture damage
- Cable Strain-Relief
- Polyurethane Resin Paint resists the fading effects of ultraviolet light
- IEC IP-64 Standards Compliant for dust and moisture-resistance
- Wide Temperature Range -4° F to 131° F
- Stainless-Steel Mounting Bracket for easy installation and aiming in wall, pole or ceiling-mount applications
- Protective Stainless-Steel Mesh Grille prevents speaker damage
- Five Year Warranty

The Manufacturer reserves the right to alter specifications without notice.

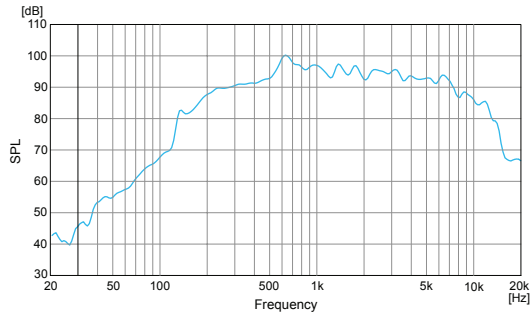
Enclosure Type	Wide-Range Paging Speaker
Dispersion	Constant Directivity
Speaker Component	Cone-Type Dynamic Speaker, 4.72" (12 cm) (Treated For Weather-Resistance)
Power Handling	15 W
Transformer Taps / Rated Impedance	70.7 V: 15 W (330 Ω), 7.5 W (670 Ω), 2.5 W (2 kΩ) 100 V: 15 W (670 Ω), 10 W (1 kΩ), 5 W (2 kΩ)
Sensitivity (Sound Pressure Level) (1 W / 1 m)	97 dB
Frequency Response	150 Hz - 15 kHz
Dispersion (-6 dB, 2 kHz)	110° H x 85° V
UL Listed Category	UL 1480 (UEAY, outdoor use)
IEC IP Code IP-64	IP-64
Temperature Range	-4° F to +131° F (-20° C to +55° C)
Material/Finish	
Enclosure:	Fire-Resistant ABS Resin, Polyurethane Resin Paint, Off-White
CS-154/U/304/U Net:	Aluminum, Gray Paint
Bracket/Screws:	Stainless Steel
Dimensions (W x H x D)	14.40" x 9.06" x 10.71" (366 mm x 230 mm x 272 mm)
Weight	6.17 lbs. (2.8 kg)



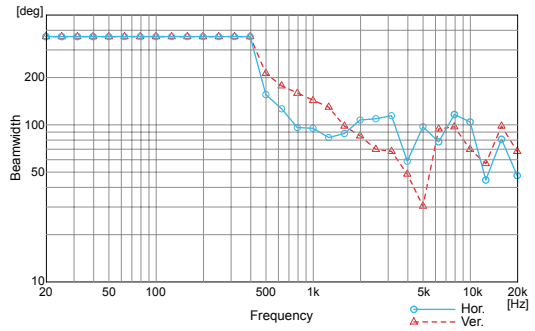
The Manufacturer reserves the right to alter specifications without notice.

Specifications

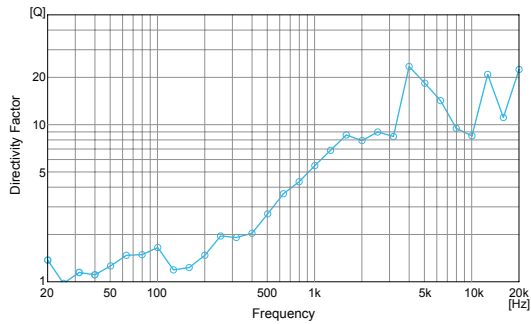
Frequency Response



Beamwidth

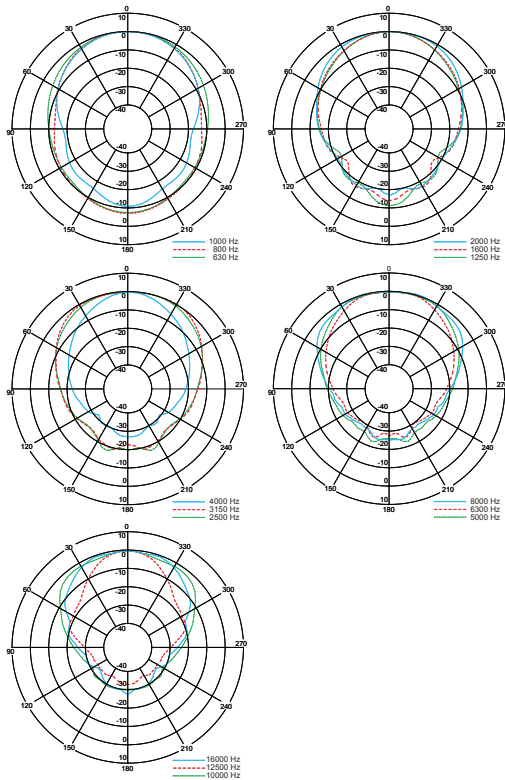


Directivity Factor

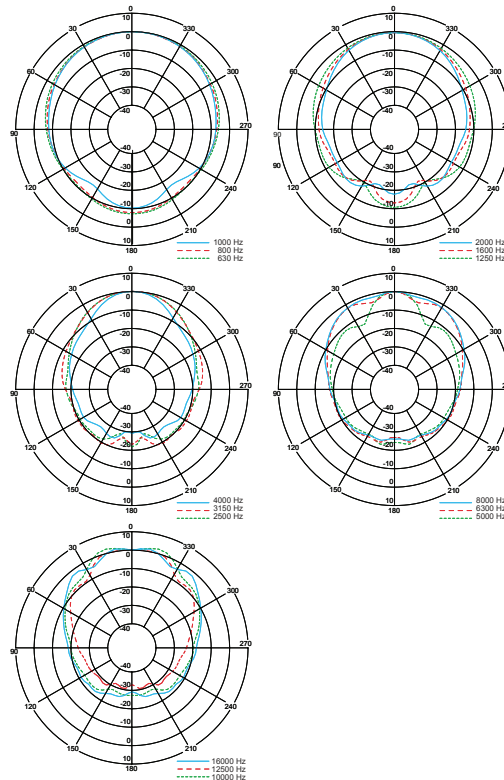


Polar Response

Horizontal



Vertical



Architects & Engineers Specifications

The speaker shall be a wide-range weatherproof horn speaker suitable for paging, background music and tone signaling distribution.

The wide-range paging speaker shall be P-CS-154/U: constant directivity horn; direct radiator design suitable for paging, background music and tone signaling distribution. The speaker component shall be a 4.72" (12 cm) cone-type dynamic speaker, treated for weather-resistance.

Power handling shall be P-CS-154/U: 15 W. The paging speaker shall include a matching transformer to accommodate 70.7 V and 100 V lines. Transformer wattage taps shall include P-CS-154/U: 70.7 V: 15 W (330 ohms), 7.5 W (670 ohms), 2.5 W (2 kohms), 100 V: 15 W (670 ohms), 10 W (1 kohms), 5 W (2 kohms).

Sound pressure level measured at one meter with one watt of power applied shall be P-CS-154/U: 97 dB SPL. Frequency response shall be P-CS-154/U: 150 Hz - 15 kHz. Horizontal and vertical dispersion at -6 dB below the on-axis reference at 2 kHz shall be P-CS-154/U: 110° H x 85° V.

The paging speaker shall be UL Listed under category UL 1480 and include external "UL Listed" labeling. The paging speaker shall comply with the IEC IP- 64 standard for dust and moisture-resistance and operate within a temperature range from -4° F to 131° F (-20° C to +55° C) .

The material and finish of the horn/cover shall be fire-resistant ABS resin and coated with polyurethane resin paint, off-white in color, to resist long-term exposure to ultraviolet light. The speaker shall include a protective net/grille to prevent damage and the material and finish shall be P-CS-154/U: punched, surface treated steel plate, dark gray powder coating.

All mounting hardware, including screws and bolts, shall be stainless steel. The paging horn shall include an integral speaker cable, insulated polyvinyl chloride type, with strain relief, 0.24" (6 mm) diameter and 24" (600 mm) length.

Dimensions shall be P-CS-154/U: 14.40" W x 9.06" H x 10.71" D (366 mm x 230 mm x 272 mm).

Weight shall be P-CS-154/U: 6.17 lbs. (2.8 kg).

The wide-range paging speaker shall be P-CS-154/U.

The Manufacturer reserves the right to alter specifications without notice.

Ordering

Contact a Guardian Telecom Sales representative for information on ordering this product.

Phone: 403 258-3100 Toll Free (North America) : 1-800 363-8010
Facsimile: 403 253-4967 info@guardiantelecom.com

Guardian
Telecom

Industrial Telephones • Equipment • Systems
www.guardiantelecom.com