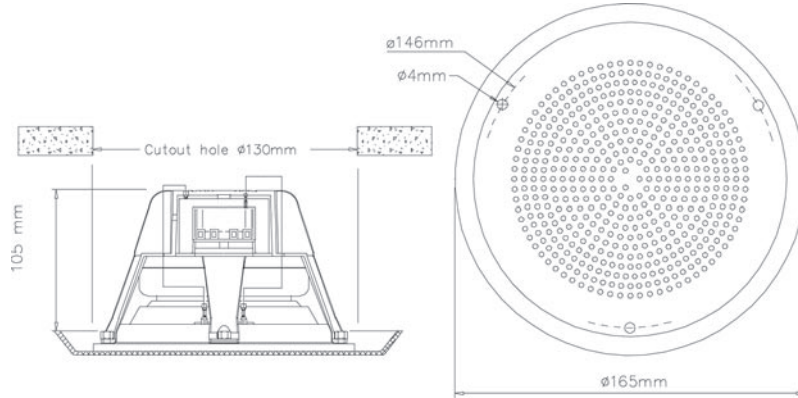




Ceiling Loudspeakers || Metal

P-B-560(T)



Transformer:

Combined

70/100 Volt line

White : Red 100 V

White : Green 70 V

Secondary nominal tapings:

C : 6 6.0 W

C : 3 3.0 W

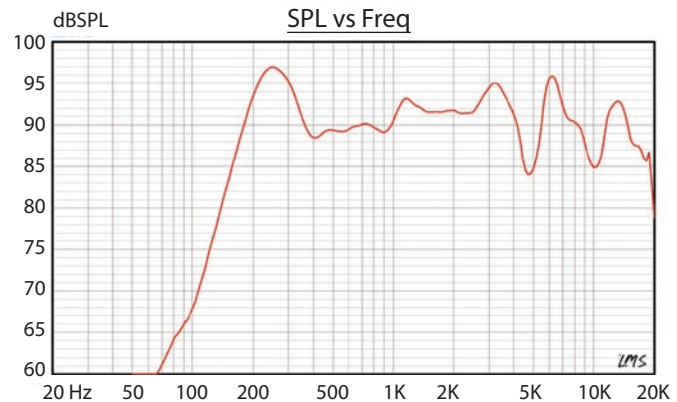
C : 1.5 1.5 W

C : 0.5 0.5 W

Specifications

Material / Color	Aluminum / RAL9010
Mounting	3 screws
Termination	Spring clamps
Weight	1.8 lbs (0.8 kg)
Max. / min. ambient temperature	194 °F / -4 °F (90 °C / -20 °C)
Rated / max. power	6 W / 15 W
SPL 1W/1m	90 dB
SPL rated power	97 dB
Effective freq. range	130 – 20000 Hz
Dispersion (-6dB) 1kHz / 4kHz	170° / 60°
Options	Impedance, color, label

Sound pressure levels at different frequencies at 1W/1m



Installation, Operation and Maintenance Procedures

- Connect to terminal. Install loudspeaker grill by screws.
- For optimum performance, always use the correct voltage / power and operate within the frequency limits as stated.
- Take care when loudspeaker is energized.
- This loudspeaker is supplied with a 2 year warranty against defective materials and workmanship by the manufacturer.



The Manufacturer reserves the right to alter specifications without notice.

