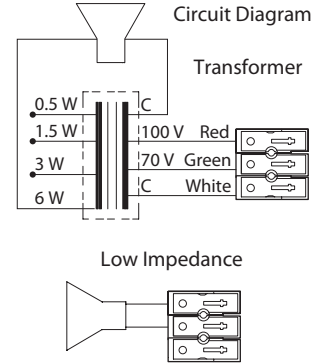
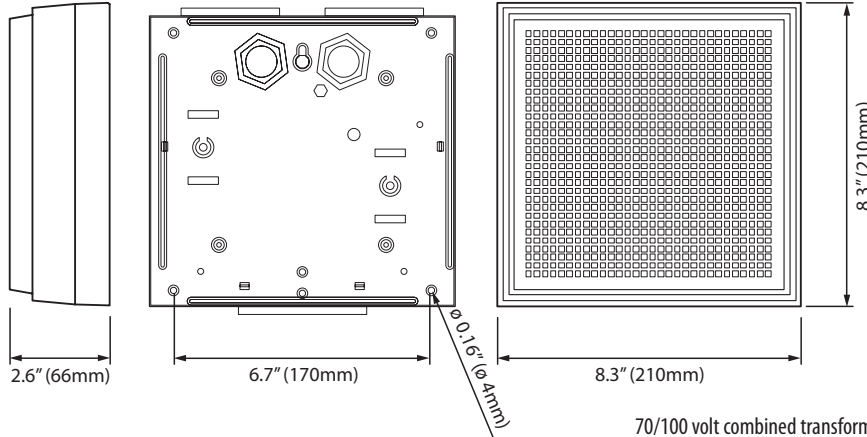




Cabinet Loudspeakers

P-B-406(T)



8 ohm version available

70/100 volt combined transformer:

Primary connections:

White : Green 70V

White : Red 100V

Secondary nominal tapings:

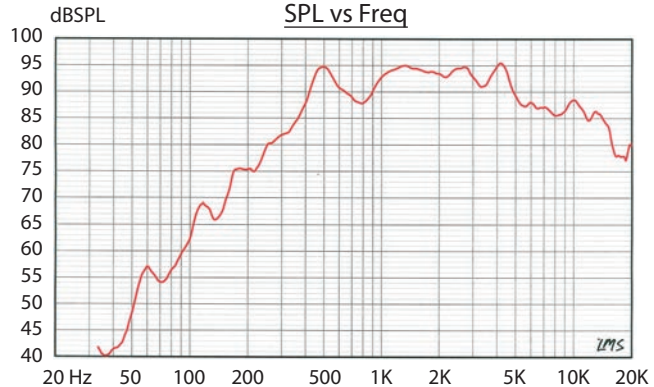
C: 6 6.0W C: 1.5 1.5W

C: 3 3.0W C: 0.5 0.5W

Specifications

Material / Color	ABS/ Light grey
Mounting	Screws and keyhole
Termination	Spring clamp
Weight	2.42 lbs (1.1 kg)
IP-rating (UL Equivalent)	0
Max. / min. amb. temp	194 °F / -4 °F (90°C / -20°C)
Rated / max. power	6W / 8W
SPL 1W/1m	92 db
SPL rated power	98 db
Effective freq. range	180 - 14000 Hz
Dispersion (-6dB) 1kHz / 4kHz	170° / 50°
Options	Impedance, color, label

Sound pressure levels at 1W/1m w/P6-15B



Many DNH products are available in different colors, impedances and power ratings.

Installation, Operation and Maintenance Procedures

- Remove backplate by bending back two sides of cabinet.
- Screw the backplate to wall or ceiling.
- Lead cable through a cable entry, connect to terminal (70 V or 100 V) and select required tapping in to the transformer.
- Clip on the cabinet to the backplate.
- For optimum performance, always use the correct voltage / power and operate within the frequency limits as stated.
- **Do not** open loudspeaker when energized.
- This loudspeaker is supplied with a 2 year warranty against defective workmanship.



The Manufacturer reserves the right to alter specifications without notice.

