

**Hazardous Area****Public Address Speaker****P-AM15XD2****P-AM15XD2**

The Federal Signal Model P-AM15XD2 is an 8 ohm, re-entrant, Type 4X speaker for use in public address or paging applications. The P-AM15XD2 features a rugged cone and projector constructed of spun aluminum. The speaker wiring connections are enclosed in a dust-proof and moisture-proof, die-cast aluminum housing. All external surfaces are sealed with a gray powder coat paint.

The P-AM15XD2 is rated for 15 watt and is UL Listed for Class 1, Division 2, Groups A,B,C, and D; Class II, Division 2, Groups F & G; and Class III environments. The design and seal of the speaker assembly and housing have been tested and approved by UL for Type 4X requirements.

Four screws inserted through the metal tabs located at the sides of the housing provide a quick wall mount installation. Two 1/2-inch conduit openings in the base of the housing simplify wiring and accommodate inbound and outbound audio wiring. The unique shape of the speaker projector provides a 60° sound dispersion.

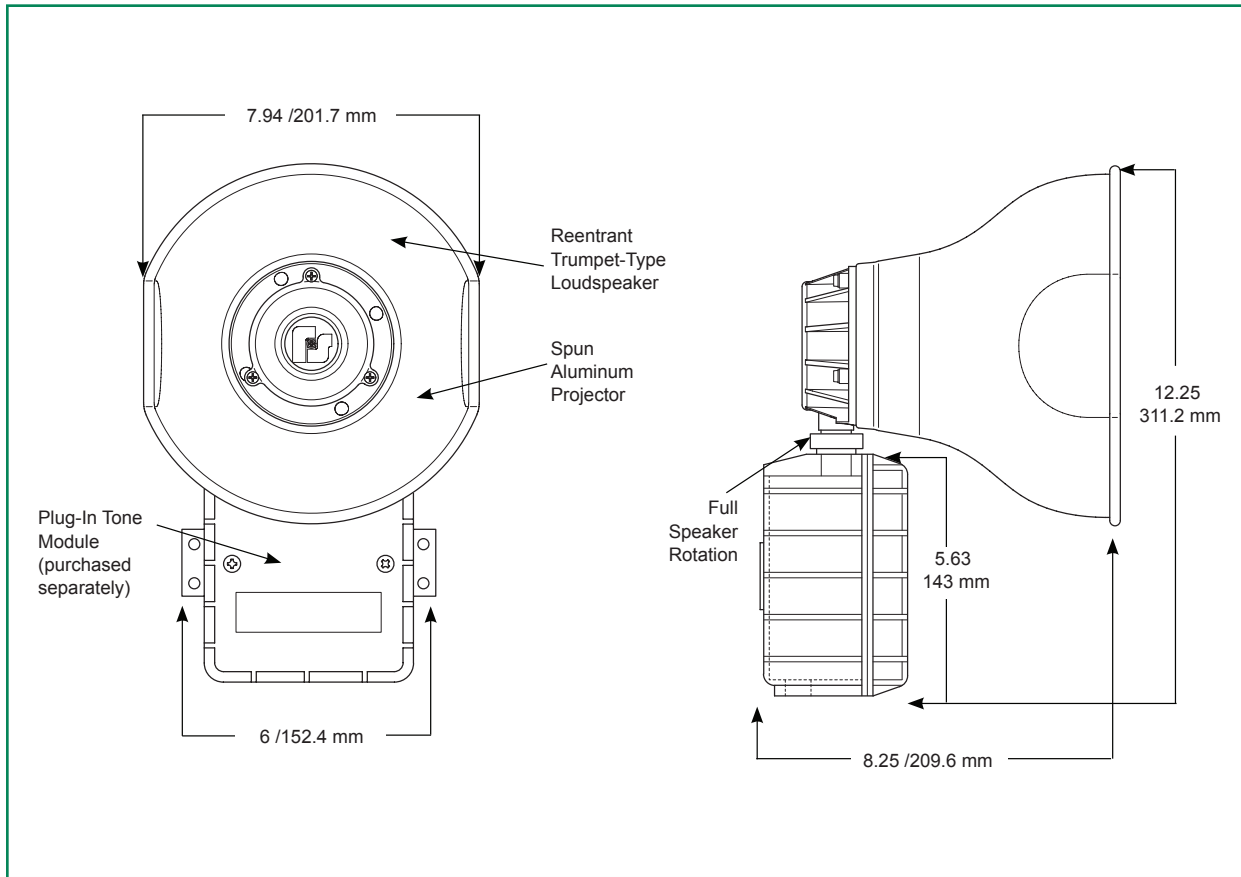
The projector is held in position with a Teflon coated lock ring that can be rotated 180° in order to obtain the desired sound distribution.

The P-AM15XD2 can be used with the AudioMaster® CTS series amplifiers and the AudioRouter™ to complete an industrial-grade public address system.

**Division 2 Re-entrant Horn**

- Rated for Class I, Division 2; Class II, Division 2; Class III
- Eight ohm
- 15 watt
- Re-entrant horn design
- Wall mount
- 1/2-inch conduit openings
- Type 4X enclosure
- UL 1480 Approved and cUL Listed
- Five Year Warranty

**FEDERAL SIGNAL**  
Safety and Security Systems / Industrial



## Specifications

<b>Operating Temperature:</b>	-40°F to 151°F (-40°C to 66°C)
<b>Net Weight:</b>	4.85 lbs (2.2 kg)
<b>Shipping Weight:</b>	6.0 lbs (2.72 kg)
<b>Height:</b>	12.25" (311.2 mm)
<b>Depth:</b>	8.25" (209.6 mm)

Power Handling	Frequency Response	Impedance	Beam Width	Decibels @ 10'	Decibels @ 1m
15 watt	400-4000Hz	8 ohm	60°	100	110

The Manufacturer reserves the right to alter specifications without notice.

## Ordering

When ordering specify model number.

Contact a Guardian Telecom Sales representative for additional information on ordering this product.

Phone: 403 258-3100 Toll Free (North America) : 1-800 363-8010  
 Facsimile: 403 253-4967 info@guardiantelecom.com



Industrial Telephones • Equipment • Systems  
[www.guardiantelecom.com](http://www.guardiantelecom.com)