

Table of Contents

Package Contents.....	2
Models	2
Options	2
Accessories	2
Overview.....	3
Features.....	3
Installing the AB1000	3
Specifications.....	9
Warranty	10
Disclaimer	10
Service Telephone Number.....	10
Feedback.....	10
Guardian Product Return	11
Cleaning Tips for Guardian Telephones.....	12
Storage	12

Table of Figures

Figure 1 - Front View.....	4
Figure 2 - Side View.....	5
Figure 3 - Back View	6
Figure 4 - Top View.....	7
Figure 5 - Bottom View.....	8

Package Contents

- (1) AB1000 Acoustic Booth
- (1) Installation & Operation Manual

Models

- **P9035** perforated 316 stainless steel liner and 2” of insulation – noise attenuation up to 23 dB
- **P9037** urethane internal coating – noise attenuation up to 11 dB
- **P9038** empty shell – noise attenuation up to 8 dB
- **P9039** high performance polyurethane acoustic liner resistant to mildew and rot and with fire retardant class “0” rating – noise attenuation up to 25 dB

Options

- Color yellow, custom colors available, additional charges may apply

Accessories

- Strobe Light
- SR40 Explosion Proof Speaker/Ringer 110 dB
- CE20 Explosion Proof Line Powered Ringer 90 dB
- Industrial Loud Ringers
- Industrial and Hazardous Area Telephones for all Applications

Overview

AB1000 Acoustic Booth

The AB1000 Acoustic Booth provides privacy and a comfortable environment in which to hold a telephone conversation, by dampening surrounding noises by 23 dB or more.

Features

- constructed of Glass Reinforced Plastic (GRP)
- Polyester Gelcoat molded into finish
- uses corrosion resistant materials
- convenient shelf for writing, with pencil lip and water drain holes
- Liner options – no liner, Urethane coating, 50mm (2”) insulation behind perforated stainless steel or high performance polyurethane resistant to mildew and rot with fire retardant class “0” rating
- 10” x 16” (254mm x 406mm) reinforced area on the back panel for mounting communication devices
- 6” x 8” (132mm x 203mm) reinforced area on the top panel for mounting strobe lights, loud ringers or other signaling devices
- easy to drill material for customizing assembly

Installing the AB1000

- **WARNING**

The AB1000 is large and heavy; it should always be handled by more than one person.

- Follow all local codes and requirements when installing the AB1000 Acoustic Booth.
- Choose a wall location that is free of obstructions and permits space for installation and wiring.
- Ensure that the mounting can support the weight of the booth with communication device installed, plus any wind force and/or body weight that may be encountered.
- If appropriate install roughed-in wiring and conduit prior to mounting the booth.
- Mount the unit on the surface selected. Use 3/8” (10mm) bolts and washers or equivalent to secure the unit.
- The AB1000 Acoustic Booth is now ready to receive the communication apparatus with associated wiring. Secure equipment to the reinforced areas of the booth using appropriate fasteners. Holes may be drilled wherever convenient to aid in wiring.
- Connect an approved earth ground to the metal lining of the booth.

See: Figures 1-5 for dimensions.

Tip: The AB1000 Acoustic Booth weighs 50 lbs (23 kg)

See: Figures 1-5

See: Figure 3 - Back View

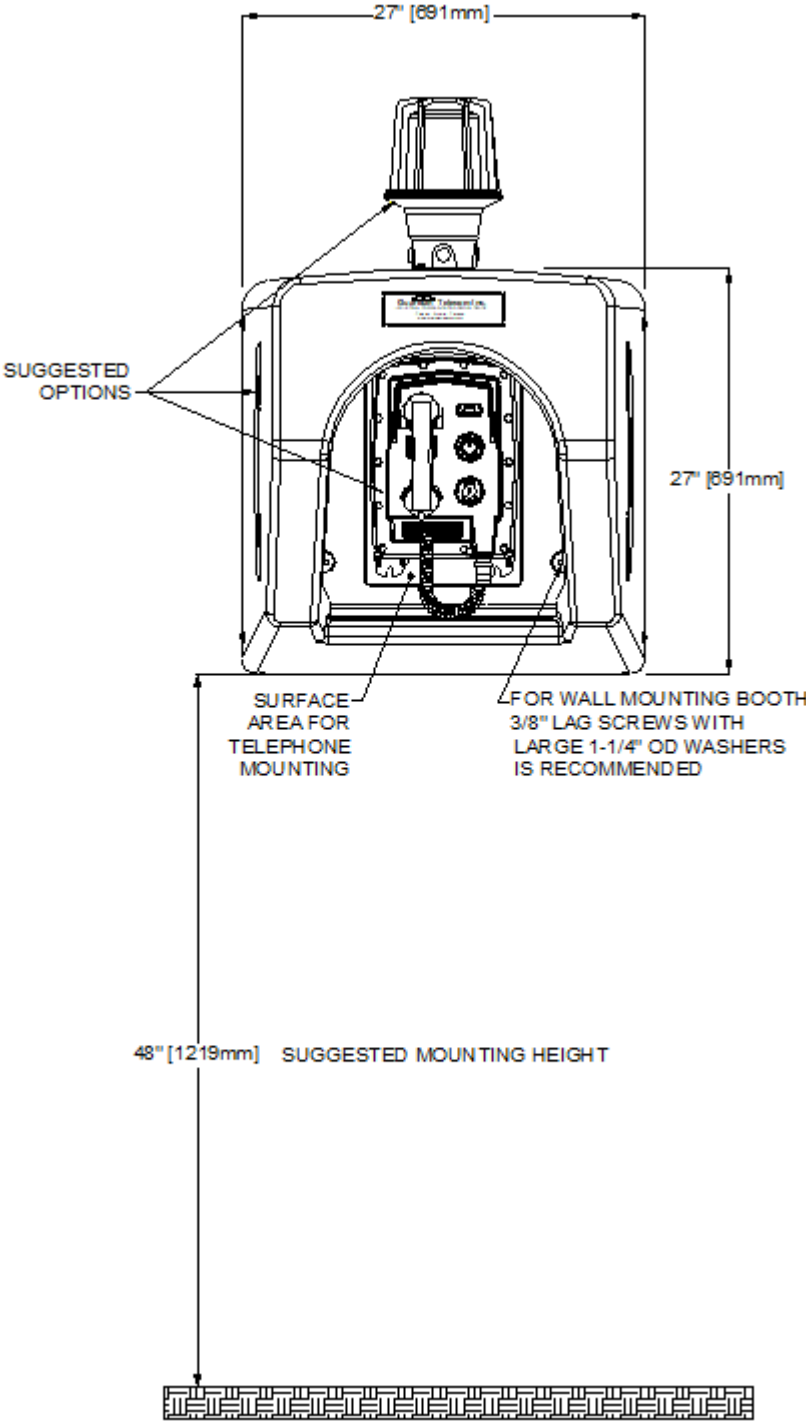


Figure 1 - Front View

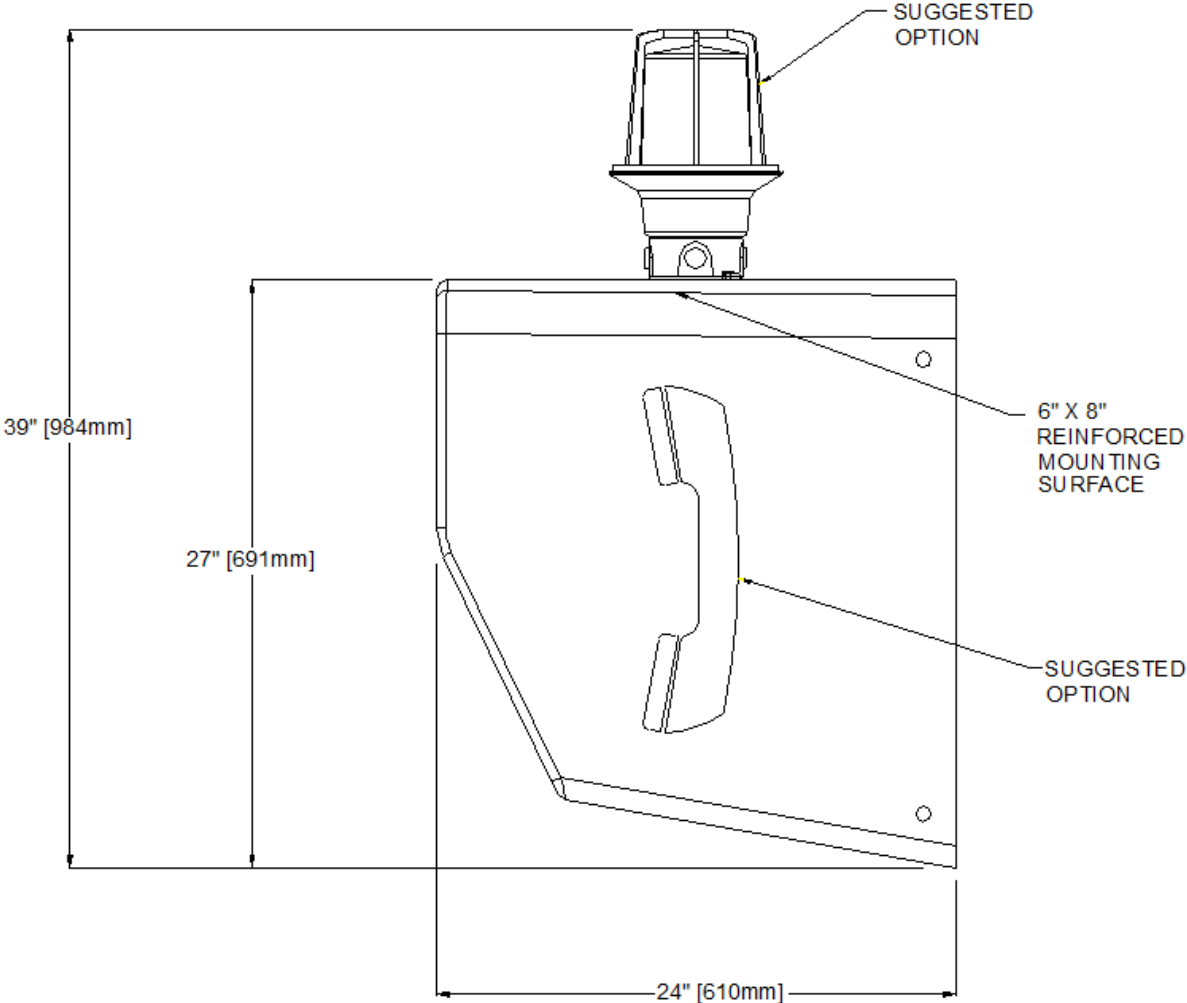
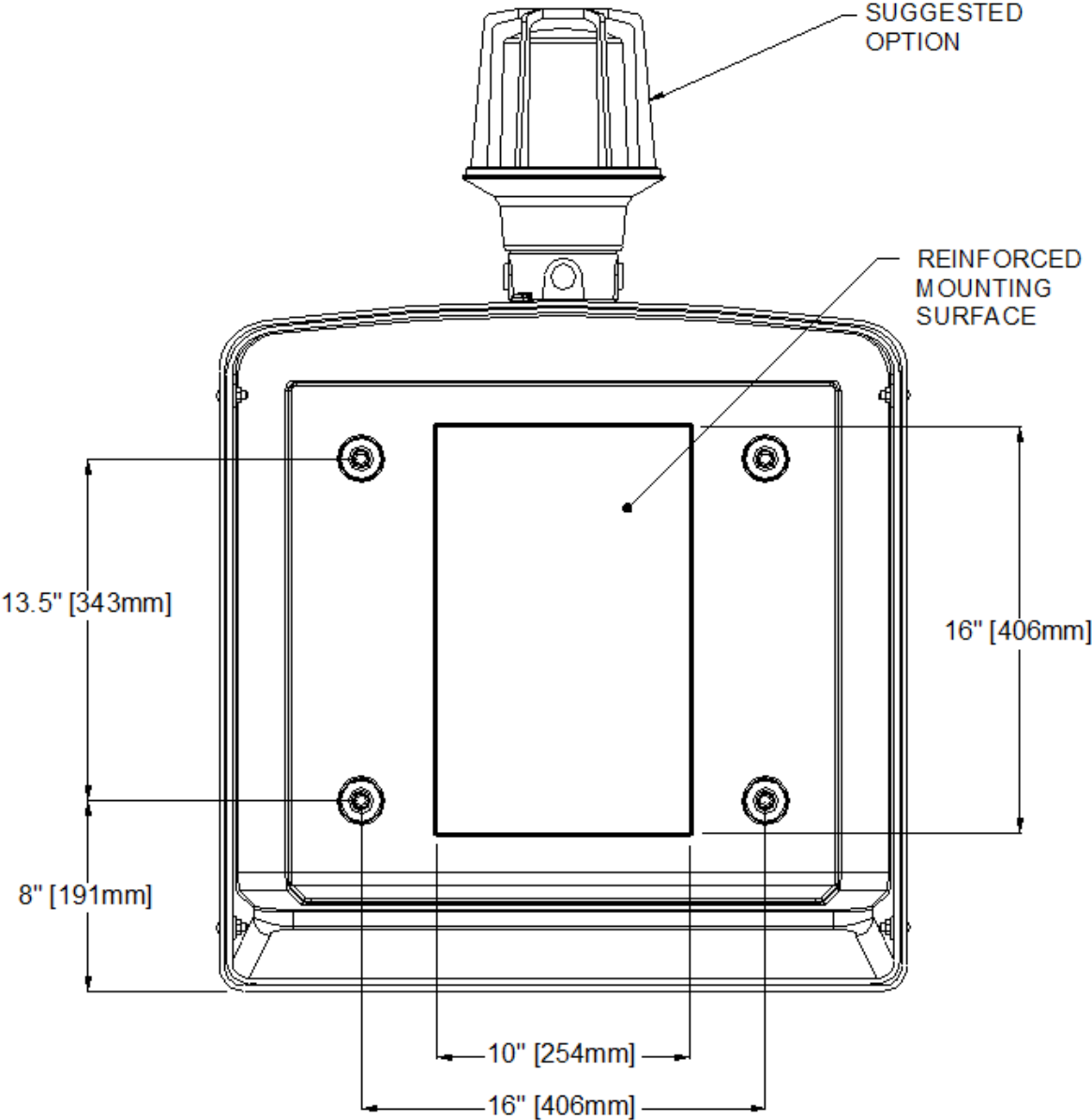


Figure 2 - Side View



¶

Figure 3 - Back View

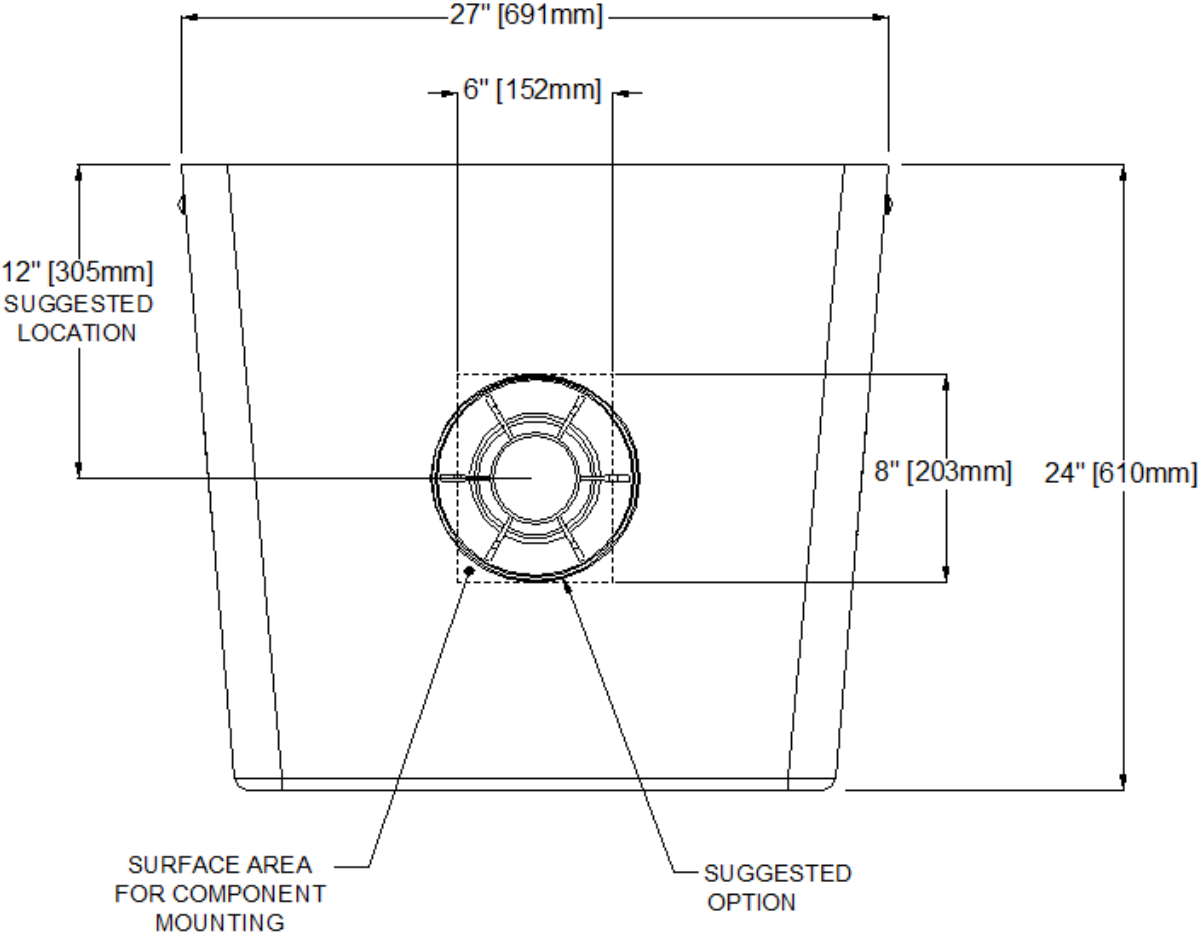


Figure 4 - Top View

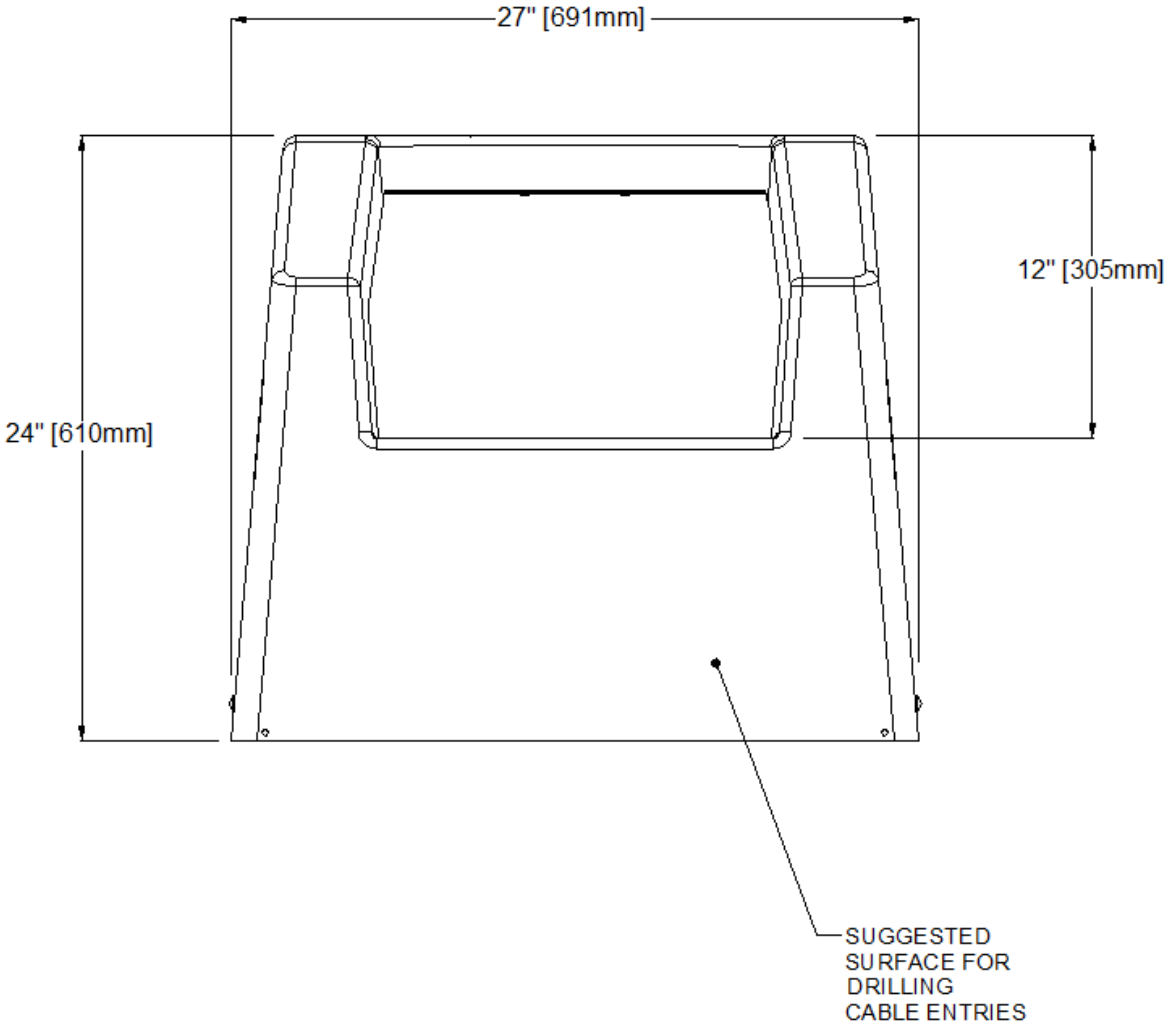


Figure 5 - Bottom View

Specifications	
<i>MECHANICAL</i>	
BODY CONSTRUCTION	POLYESTER/FIBERGLASS REINFORCED LAMINATE
FINISH	POLYESTER GELCOAT MOLDED INTO FINISH
DIMENSIONS (H X D X W)	27 X 24 X 27 INCHES (690 X 610 X 690 MM)
NET WEIGHT	SHELL (P9038) 33.5 LBS (15.2 KG), URETHANE (P9037) 40.0 LBS (18.2 KG) POLYURETHANE (P9039) 45.0 LBS (20.4 KG), FULLY LINED (P9035) 45.0 LBS (20.4 KG)
SHIPPING DIMENSIONS	28 X 25 X 28 INCHES (710 X 640 X 710 MM)
SHIPPING WEIGHT	SHELL (P9038) 36.5 LBS (16.6 KG), URETHANE (P9037) 43.0 LBS (19.5 KG) POLYURETHANE (P9039) 48.0 LBS (21.8 KG), FULLY LINED (P9035) 48.0 LBS (21.8 KG)
STANDARD MOUNTING	VERTICAL WALL
STANDARD COLOR	YELLOW

Warranty

Guardian Telecom warrants your product to be free of defects in material and workmanship for a period of three years. Guardian Telecom will repair or replace any defective unit that is under warranty free of charge.

This warranty is null and void if any non-authorized modifications have been made to this product, or if it has been subjected to misuse, neglect, or accident. This warranty covers bench repairs only; such repairs must be made at Guardian Telecom or an authorized service depot. Guardian Telecom is not responsible for costs incurred for on-site service calls, freight, or brokerage.

Guardian products have been quality tested and are in full working order when shipped from the factory, shipping damage should be claimed on the carrier.

A return authorization must be obtained prior to warranty claims or repairs.

Disclaimer

The products covered by this manual are designed for use in Industrial Environments and/or Hazardous Locations. Due to the range of possible applications the manufacturer will not be responsible for damages or losses of any kind suffered as a result of the use of this product, including consequential damages.

Service Telephone Number

1-800-363-8010 (North America)

Guardian Telecom provides a customer service telephone number which is toll-free within North America. If you need assistance when installing or operating this product, please call the toll-free telephone number between regular business hours (8:00AM-5:00PM), Mountain Standard Time. If you are calling outside of regular business hours, please leave a detailed message, and a member of Guardian Telecom's Service Department will return your call as soon as possible. If your product requires service, Guardian personnel will supply you with an RMA (return materials authorization) number over the telephone or through our web site product return page. This number must be included with your return address and the name of the person to contact.

Guardian Telecom, A Division of Circa Enterprises Inc.
Toll-free 1-800-363-8010 in North America
Ph. (403) 258-3100
Fax. (403) 253-4967
www.guardiantelecom.com

Feedback

Guardian Telecom continually strives to make reliable, durable, and easy to use products. If you, as an installer or user of our equipment, have any suggestions for improvements to this or any of our products or documents, including this manual, we would appreciate hearing from you.

Guardian Product Return
<p>Guardian products have been quality tested and are in full working order when shipped from the factory, given the rugged nature of these products shipping is not expected to damage a unit. In the unlikely event of a malfunction Guardian follows the three step procedure below.</p>
<p>Step I - On-Site Correction</p>
<ul style="list-style-type: none"> • The most common source of difficulties with a new product is improper installation in one of two ways: incorrect wiring connections or connection to an incorrect power source.
<ul style="list-style-type: none"> • Product wiring needs to be properly connected to the on-site wiring. Correct wiring instructions are shown in the user manuals included with the product.
<ul style="list-style-type: none"> • VoIP-H telephones must receive power either from the Ethernet (POE) or from an external source. If a VoIP-H telephone fails to function refer to the Question & Answer section in the Setup and Configuration manual P007402. If the solution is not found in the Q & A section contact Guardian Tech Support online under Products\VoIP Technical Support at www.guardiantelecom.com or at 1-800-363 8010.
<p>Step II - Return Materials Authorization (RMA)</p>
<ul style="list-style-type: none"> • When a product has been installed following user manual instructions, and the unit fails to operate, the user must contact Guardian Telecom to obtain authorization to return the product. This can be done by completing an RMA form online at https://www.guardiantelecom.com/support/rma/, or by calling the service telephone number given in this manual.
<ul style="list-style-type: none"> • After providing information on the product, the owner and the nature of the problem, Guardian will issue a RMA number, to be shown on documentation returned with the product.
<ul style="list-style-type: none"> • In addition to the RMA number, shipping documents should include name, address and telephone number of the owner along with contact information for the person responsible for the repair and/or the user who identified the malfunction.
<ul style="list-style-type: none"> • (Where a product is being returned for repair from outside of Canada, customs documentation must show the product's serial number, date of export [date of purchase], and a notation that the equipment is: "Canadian goods returning.")
<p>Step III - Factory Authorized Service</p>
<ul style="list-style-type: none"> • Once received, each product is carefully inspected and tested. If the product is under warranty, repairs are completed and the product returned to the owner, generally within five working days of receipt by the factory.
<ul style="list-style-type: none"> • A product that has been subjected to misuse, neglect or accident or is beyond the warranty period will be evaluated. The service department will provide the owner's representative with a repair cost estimate. Once approved, repairs are completed and the product returned, generally within five working days.

Cleaning Tips for Guardian Telephones

Guardian Telephones may occasionally need to be cleaned to maintain appearance. Generally, wiping the surface with a clean, water dampened cloth will remove most films or residues. If the soiling is too stubborn for plain water, a mild detergent solution may be used. Be sure to wipe away any detergent residue with a plain water dampened cloth. The Telephone may be cleaned with any general-purpose household glass and surface type cleaner. Do not spray the telephone directly! Spray the cleaner on a soft cloth then wipe the surface. Pre-treated cloths, like those used for eyeglasses or cameras, may be used to clean the Telephone. Premoistened towelettes may also be used, however, avoid those containing lanolin or aloe as they will leave a slippery residue. The handset and surface of the telephone may be cleaned with disinfectants used for general cleaning in a medical environment. Isopropyl alcohol may be used applied with a cloth. Avoid using alcohol on silicon based keypads, since doing so may significantly degrade legibility.

- Do not use furniture polishes, waxes or plasticizer-based cleaner (Armor All etc.)
- Do not use lanolin, aloe, glycerin or other skin care type products.
- Do not apply any solvent such as acetone, mineral spirits etc.
- Do not directly spray or immerse the handset.

Storage

General Storage (All situations):

- Note any stacking limits or warnings on packaging (if any).
- Do not store in temperatures over +80C.
- Store in original packaging if possible until needed.

Long Term Storage (> 6 Months):

- If area is air conditioned and not subject to high changes in humidity, continue to store in original packaging.
- If wide humidity shifts are expected, then use these steps:
 - Remove product from packaging (including plastic bags) and store on shelf in open air.
 - If area is subject to a high degree of dust, to help maintain cosmetic appearance you can cover with cloth (Do not cover with plastic or materials that will trap moisture) or clean periodically.
 - Do not store out of packaging long term where they are exposed to sunlight. Long term exposure to UV may cause fading on plastic parts.

THIS PAGE INTENTIONALLY LEFT BLANK

THIS PAGE INTENTIONALLY LEFT BLANK



SAI GLOBAL
ISO 9001:2015

Guardian Telecom, A Division of Circa Enterprises Inc.

Toll-free 1-800-363-8010

Phone (403) 258-3100

Fax. (403) 253-4967

www.guardiantelecom.com

E-mail: sales@guardiantelecom.com

(Click to open message box)

Tough. Tested. True.

© Guardian Telecom 2018