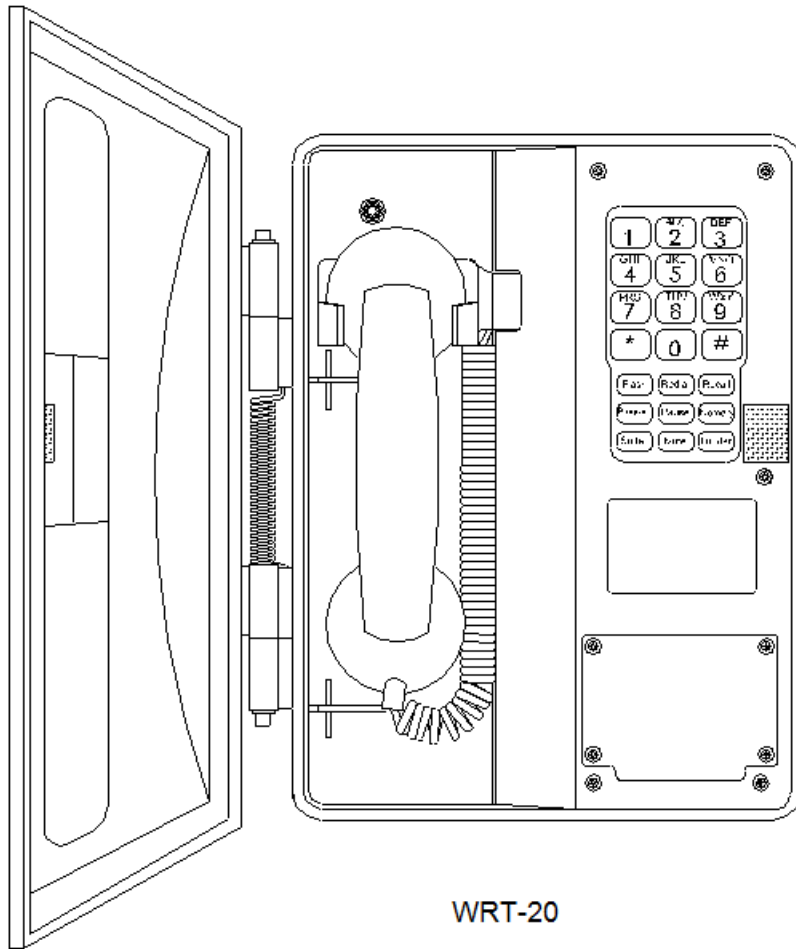




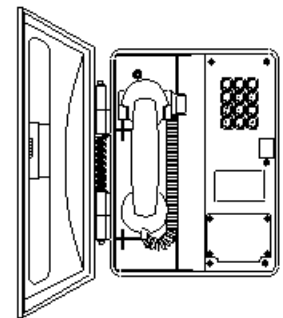
Weatherproof Industrial Telephones

WRT Series Telephones

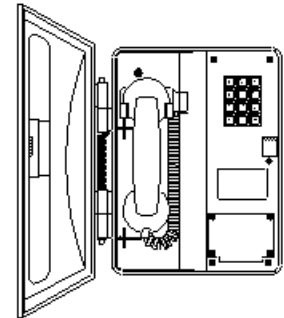
Installation & Operation



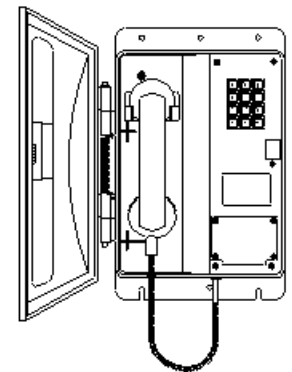
WRT-20



WRT-10



WRT-30



WRT-40

P005418 Rev. G 180615 6/15/2018 11:44 AM

Table of Contents

| | |
|---|----|
| Package Contents | 2 |
| Overview | 3 |
| Standard Features on All Models | 3 |
| Features (Specific Models) | 4 |
| Options Available | 4 |
| Accessories | 4 |
| Installing the WRT | 7 |
| Setting Dialing Mode | 8 |
| Field Repairs & Adjustments | 9 |
| Programming the WRT-20 with Membrane Keypad | 10 |
| Operating the WRT | 10 |
| Specifications | 11 |
| Replacement Parts | 12 |
| Government Certification | 13 |
| Warranty | 14 |
| Disclaimer | 14 |
| Warning | 14 |
| Service Telephone Number | 14 |
| Feedback | 14 |
| Guardian Product Return | 15 |
| Cleaning Tips for Guardian Telephones | 16 |
| Storage | 16 |

Table of Figures

| | |
|--|---|
| Figure 1 - Features - Typical - Standard Models | 5 |
| Figure 2 - Overall Dimensions - Standard Models | 5 |
| Figure 3 - Features WRT-20 with Optional Mounting Plate | 6 |
| Figure 4 - Overall Dimensions WRT-20 with Optional Mounting Plate .. | 6 |
| Figure 5 - Setting Dialing Mode & Installation | 8 |
| Figure 6 - Fuse Replacement | 9 |

Package Contents

- (1) WRT Telephone
- (1) Installation & Operation Manual

Overview

WRT Series Weather Resistant Telephones

WRT telephones are designed to provide safe, reliable communication in areas prone to high humidity, chemical vapors, dust and physical abuse. Several variations and options are available to suit the end user's requirements.

Standard Features on All Models

Enclosure

- weather tight, rugged Valox® & steel
- spring loaded hinged door

Faceplate

- 16 Gauge steel with wiring access to surge arrestor

Encapsulated Circuitry

- circuit boards are resistant to corrosive agents (e.g. H₂S, SO₂, and NH₃), and environments with high humidity

Surge Arrestor

- protects the user in the event of a high voltage spike on the telephone line

Fuse

- prevents damage to the electronic circuits in the event of a high voltage spike on the telephone line

Magnetic Reed Hook Switch

- no moving parts

Tone (DTMF) Operation

- factory set to tone (DTMF) dialing
- pulse dialing can be ordered or configured in the field

4' Heavy Duty Handset Cord (Not Available With WRT-40)

- withstands severe use

Hearing-Aid Compatible (HAC) Receiver

- compatible with inductively coupled hearing-aid devices

Receiver Volume Control

- Switch in handset (on keypad of WRT-20), provides 13.5dB of range

Features (Specific Models)

P6072 WRT-10

- Waterproof 3 x 4 Keypad
- 4' Heavy duty handset cord

P6073 WRT-20

- Membrane Keypad With Features
 1. weather tight
 2. 10 number memory
 3. Redial - last number (31 digits)
 4. Recall - obtains dial tone without hanging up handset
 5. Flash - 600ms timed loop break
 6. Pause - 3 second pause in programming
 7. Mute - disables handset microphone
 8. Softer/Louder – 2.7dB steps (+8.1dB/-5.4dB 3 steps up, 2 steps down)
- 6' Heavy duty handset cord

P6074 WRT-30

- Metal 3 x 4 Keypad
- 4' Heavy duty handset cord

P6075 WRT-40

- Metal 3 x 4 Keypad
- 22" Armored Handset Cord
- Handset Retainer Clips
- Stainless Steel Mounting Plate

| Options Available | | |
|--------------------------------|--------|----------------------|
| Stainless Steel Mounting Plate | (MP) | (Standard on WRT-40) |
| 20' Heavy Duty Coil Cord | (20C) | (Only on WRT-20) |
| 20' Heavy Duty Coil Cord | (20VC) | (Only on WRT-10/30) |
| Noise Canceling Microphone | (NC) | |
| Grey Enclosure | (GR) | |

Accessories

- P7224 Potted ring detect relay
- P7225 Weather Proof ring detect relay
- P7227 Potted off-hook detect relay
- P7232 Weather Proof off-hook detect relay
- PXXXX External Loud Ringer

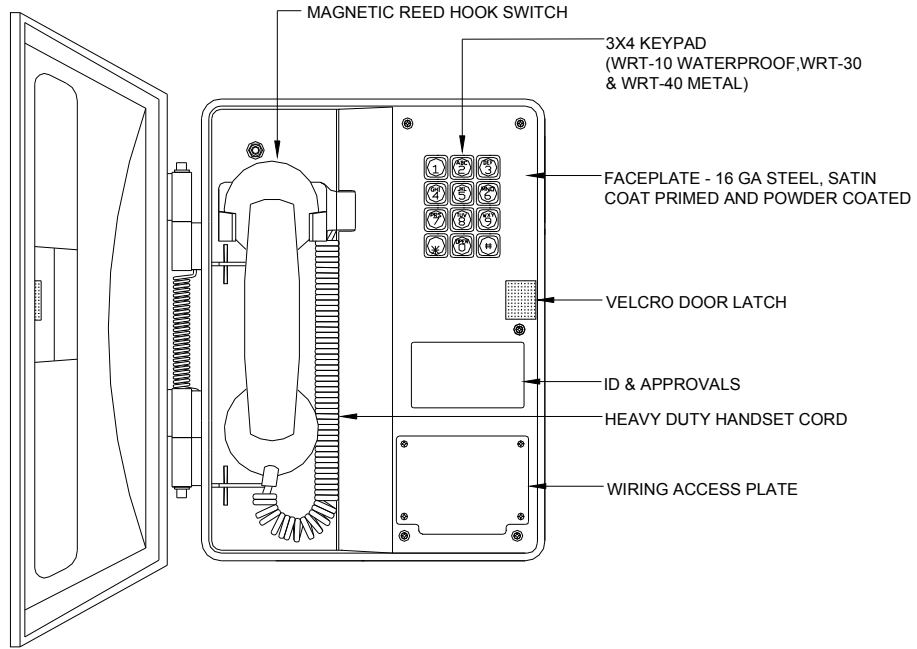


Figure 1 - Features - Typical - Standard Models

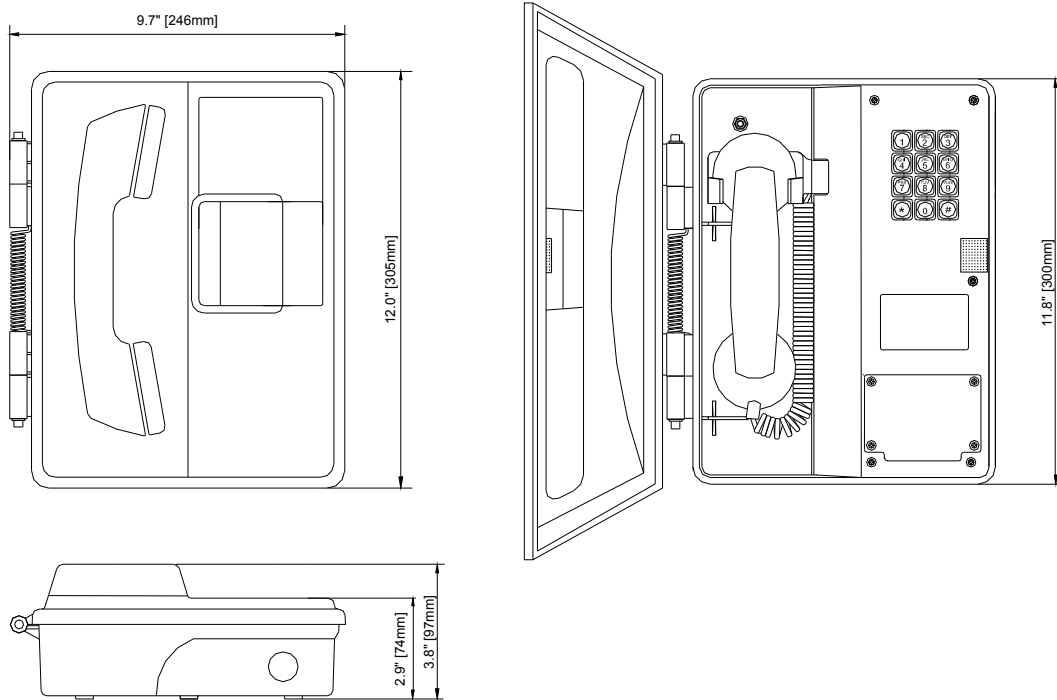


Figure 2 - Overall Dimensions - Standard Models

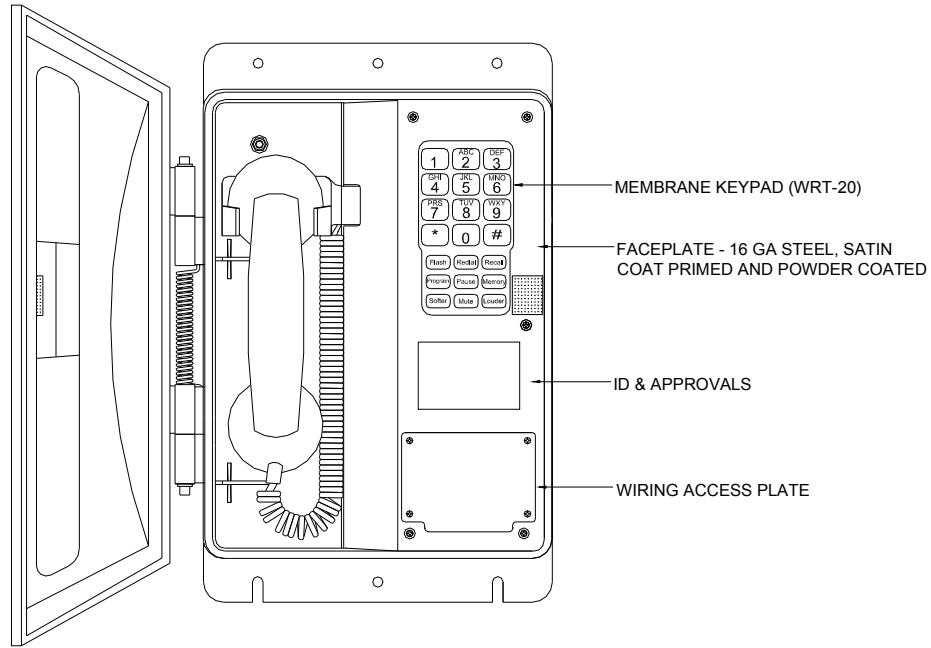


Figure 3 - Features WRT-20 with Optional Mounting Plate

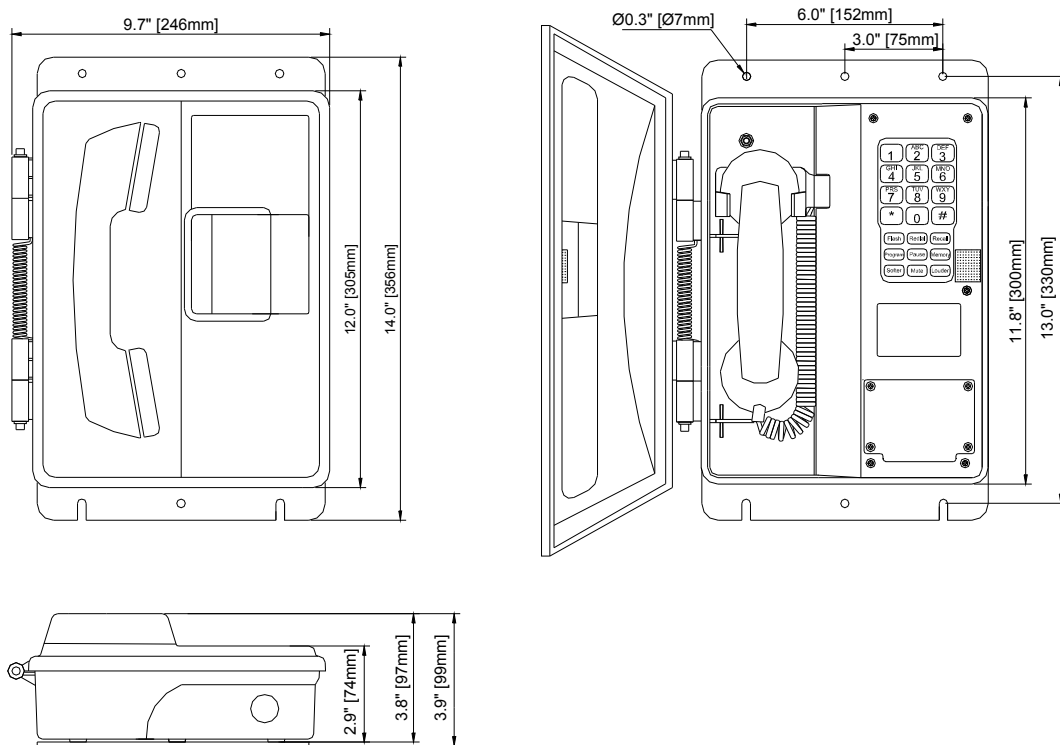


Figure 4 - Overall Dimensions WRT-20 with Optional Mounting Plate

Installing the WRT

- The WRT is set to tone dialing when shipped. If pulse dialing is required see the section on Setting Tone/Pulse Operation.
- Follow all appropriate electrical codes and use only approved electrical fittings for the installation.
- Choose a wall location that is free of obstructions and permits space for wiring.
- Ensure mounting can support 6.5 lbs (2.95 kg) plus any additional, foreseeable load.
- Ensure that none of the electrical connection circuits are live.

Mounting Without Optional Mounting Plate

- Use the appropriate template to locate and drill holes for mounting screws. Use #10 or M5 screws to secure the unit to the wall. Use anchors in plaster or cement to provide a firm grip for the mounting screws. Use sturdy hollow-wall fasteners to mount the set to drywall.
- Loosen the five captive screws in the faceplate and swing the faceplate to the left. If the set is on a vertical surface the faceplate will stay open like a book in this position. Take care not to disturb the internal wiring.
- Secure the unit to the wall.
- Replace the faceplate. Do not over tighten the screws.

Mounting With Optional Mounting Plate

- Use the appropriate template to locate and drill holes for mounting screws.
- Secure the unit to the wall.

Wiring the WRT to the Telephone System

- Remove the wiring access cover plate.
- Bring cable into the enclosure through the conduit entrance and attach individual wires from the exchange – Tip/Ring/Ground – to the surge arrester (Tip & Ring are not polarity sensitive). If a conduit hub is used, ensure it is grounded to the ground stud.
- Replace the wiring access cover plate.

Final Check

- Check the set visually for loose screws and trapped wires. Check that the handset hangs freely in the cradle and that the handset cord is not trapped by the door.
- Check that the faceplate is snug to its gasket, paying particular attention to the area around the cradle. Check that the door closes flush to the housing.
- Test the unit by calling to and from another unit on the exchange.

See: Figure 5 - Setting Dialing Mode & Installation

See: Figure 2 - Overall Dimensions - Standard Models

See: Figure 2 - Overall Dimensions - Standard Models

Setting Dialing Mode

The WRT is shipped from the factory set for DTMF (Tone) dialing mode. If loop disconnect (Pulse) dialing is required proceed as follows.

- Loosen the five captive screws in the faceplate and swing the faceplate to the left. If the set is on a vertical surface the faceplate will stay open like a book in this position. Take care not to disturb the internal wiring.
- Change the position of the Tone/Pulse jumper on the circuit board to Pulse, as indicated on the label.
- The set will now be in pulse dialing mode, it can be returned to tone mode by changing the position of the jumper back to the Tone position.
- Carefully replace the front plate and install all five screws. Do not over tighten the cover screws; there is a flexible gasket between the cover and the body. Excessive tightening of the screws deforms the gasket and reduces the weather resistance of the set.

See: Figure 5 - Setting Dialing Mode & Installation

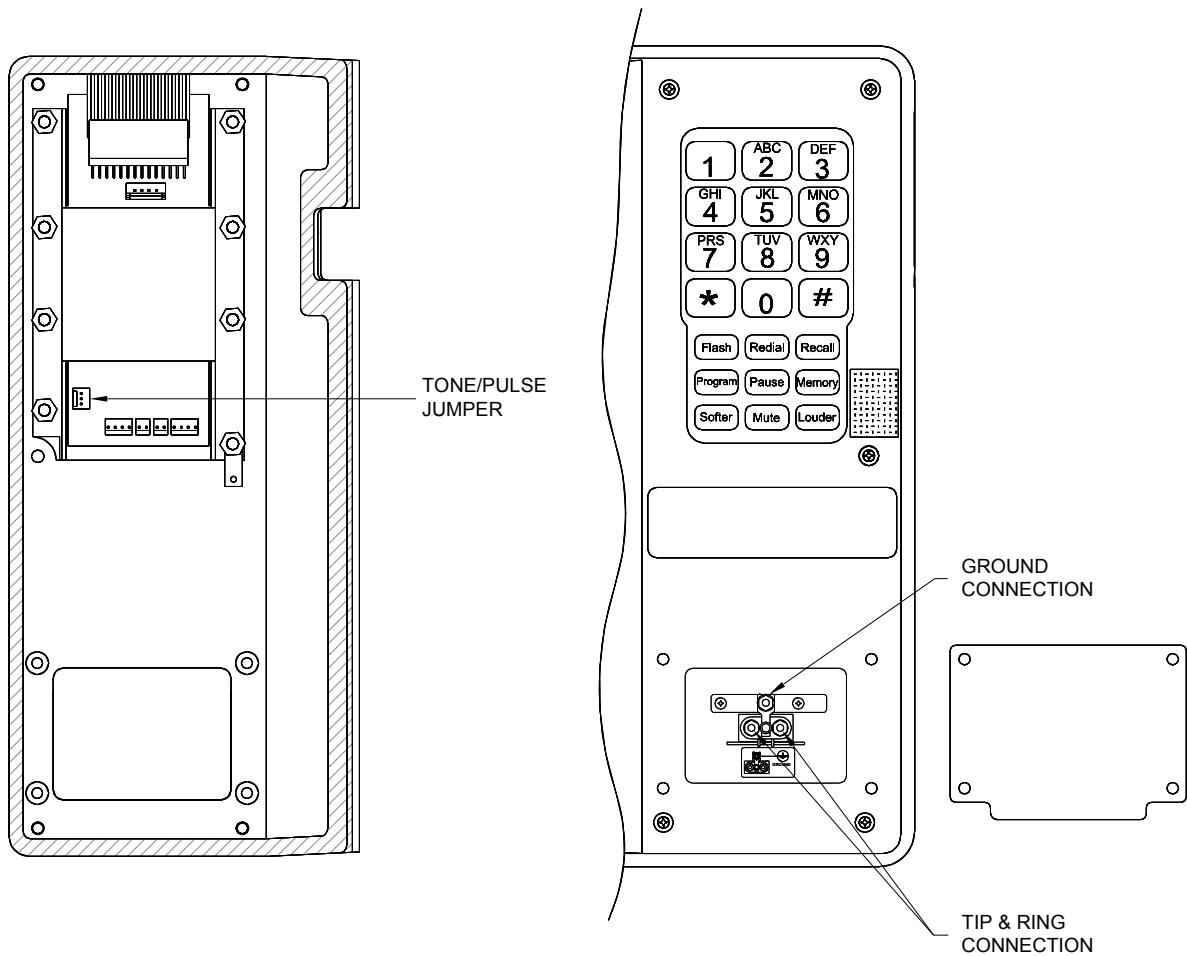


Figure 5 - Setting Dialing Mode & Installation

Field Repairs & Adjustments

Field repairs may only be carried out by qualified technicians using OEM parts. Substitution of parts voids warranty and may pose a hazard to users of the equipment.

- Disconnect the telephone from Tip and Ring power supplied by the PABX or central office before making repairs or adjustments.
- Loosen the five captive screws in the faceplate and swing the faceplate to the left. If the set is on a vertical surface the faceplate will stay open like a book in this position. Take care not to disturb the internal wiring.
- Perform the necessary repairs or adjustments.
- Carefully replace the front plate and install all five screws. Do not over tighten the cover screws; there is a flexible gasket between the cover and the body. Excessive tightening of the screws deforms the gasket and reduces the weather resistance of the set.

Fuse Replacement

- Remove the old fuse by pushing in the end cap of the fuse holder and turning counterclockwise to open. Insert a new 0.25 amp, 250Volt, 3AG fast blow fuse and close the fuse holder.

WARNING!

- Replace only with a 0.25 amp 250V 3AG fast blow fuse. Failure to do so will void the warranty.
- If, on reconnecting power, the fuse fails, check the telephone system wiring. The fuse protects the Tip and Ring line from the telephone system. It is usually powered at 48 volts DC and must not be connected to 120 volts AC.

See: Replacement Parts

Note: Ensure that connections are secure before replacing faceplate.

See: Figure 6 - Fuse Replacement

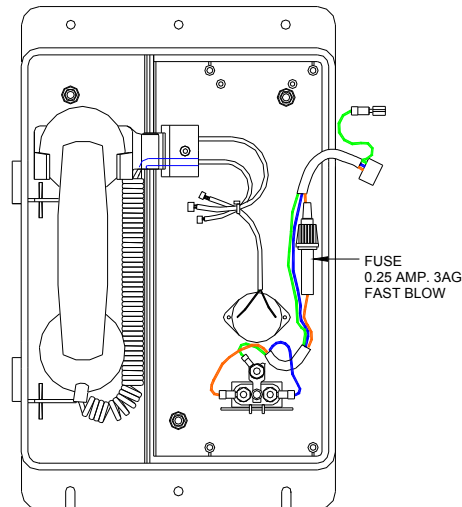


Figure 6 - Fuse Replacement

Programming the WRT-20 with Membrane Keypad

A direct memory access register can be assigned to each of the 10 number keys.

Each direct memory access register can contain up to 20 characters.

- Lift the telephone handset off the hook.
- Press **Program** to put the phone into programming mode.
- Press **Memory**.
- Press a number key **0-9**.
- Enter the telephone number you want to store. Valid entries are **0-9**, *****, **#**, and **Pause** (e.g., 1-800-363-8010).
- If your phone requires you to dial 9 – or other digit – to access an outside line, press the appropriate key, then the **Pause** key, then enter the telephone number you want to store.
- Press **Program** again to leave programming mode and return to normal telephone operation.

Tip: You can store up to 10 numbers in memory.

*Tip: Valid characters are 0-9, *, # and Pause.*

Tip: The number selected is assigned to the access register.

Operating the WRT

Manual Operation:

- Lift the handset and dial manually.

Automatic Memory Dialing For the WRT-20 with Membrane Keypad

- Lift the handset.
- Press **Memory**.
- Press a number key **0-9**.
- The number stored in the register will automatically dial.

*Tip: Valid keys for manual dialing are 0-9, * and #.*

Tip: Program the WRT-20 to use this quick dialing method.

| Specifications | |
|--|---|
| <i>ELECTRICAL PERFORMANCE</i> | |
| AUDIBLE RANGE FREQUENCY RESPONSE | 300 – 3400 Hz |
| DIALING METHOD | DTMF OR 40/60 PULSE AT 10 PPS |
| TRANSMIT OBJECTIVE LOUDNESS RATING (TOLR) | -38 +/- 3 dB |
| RECEIVER VOLUME ADJUSTMENT | +8.1 / -5.1 dB IN STEPS OF 2.7 dB |
| RECEIVE OBJECTIVE LOUDNESS RATING (ROLR) | |
| -AT NOMINAL VOLUME LEVEL | 50 +/- 3 dB |
| -AT MAXIMUM VOLUME LEVEL | 42 +/- 3 dB |
| -AT MINIMUM VOLUME LEVEL | 55.5 +/- 3 dB |
| SIDE TONE OBJECTIVE LOUDNESS RATING (SOLR) | |
| -AT NOMINAL VOLUME LEVEL | 11 +/- 4 dB |
| -AT MAXIMUM VOLUME LEVEL | 7 +/- 4 dB |
| -AT MINIMUM VOLUME LEVEL | 14 +/- 4 dB |
| MEMORY DIAL (WRT-20 ONLY) | 10 REGISTERS OF 20 DIGITS EACH |
| FLASH (WRT-20 ONLY) | 600 MSEC TIMED DISCONNECT |
| MUTE (WRT-20 ONLY) | PRESS KEY TO MUTE TRANSMITTER |
| REDIAL (WRT-20 ONLY) | 31 DIGITS MAXIMUM |
| RINGER OUTPUT | 75 dB MAXIMUM |
| FCC RINGER EQUIVALENCE | 0.8B |
| SET IMPEDANCE | 600 OHMS NOMINAL |
| MAXIMUM LOOP | 15,000 FT (4,600 M) OF 22 AWG COPPER |
| <i>ELECTRICAL</i> | |
| RINGER SENSITIVITY | 40 – 100 V, 16 – 25 Hz |
| LINE VOLTAGE | 24 – 56 VDC |
| LOOP CURRENT | 20 - 120 mA |
| CONNECTION METHOD | SURGE ARRESTOR |
| FUSE | ¼ AMP 250 VOLT 3AG FAST BLOW |
| <i>ENVIRONMENTAL</i> | |
| WEATHERPROOF | ENCLOSURE NEMA 3R |
| TEMPERATURE | -40° TO +60° C (-40° TO +140° F) |
| HUMIDITY | 0 TO 95% RH |
| DUSTPROOF | FULLY GASKETTED ENCLOSURE |
| CORROSION RESISTANT | MIL-STD-810E SALT FOG |
| <i>MECHANICAL</i> | |
| HOOK SWITCH (CRADLE SWITCH) LIFE | >1 000 000 OPERATIONS |
| BODY CONSTRUCTION | GE VALOX 357 [®] ENGINEERING POLYMER |
| DIMENSIONS (H X W X D) | 12 X 9.6 X 3.9 INCHES (305 X 245 X 99 MM) |
| NET WEIGHT | 6.5 LBS (2.95 KG) |
| SHIPPING DIMENSIONS | 15 X 11.5 X 5 INCHES (381 X 293 X 127 MM) |
| SHIPPING WEIGHT | 8 LBS (3.7 KG) |
| HANDSET MATERIAL | HIGH IMPACT ABS |
| MICROPHONE | NOISE REDUCING ELECTRET |
| OPTIONAL MICROPHONE | NOISE CANCELING DYNAMIC |
| RECEIVER | HEARING AID COMPATIBLE (HAC) |
| STANDARD MOUNTING | VERTICAL WALL |
| WIRING ACCESS | 7/8" DIAM. OPENING FOR OWNER SUPPLIED FITTING |
| HARDWARE MATERIAL | STAINLESS STEEL |

| COMPLIANCE | |
|-----------------------------|-------------------|
| DOC | 1012 6721 A |
| FCC | HQHCAN-22517-TE-E |
| WEATHERPROOF | ENCLOSURE NEMA 3R |
| ENVIRONMENTAL SURVIVABILITY | MIL-STD-810E |

| Replacement Parts | |
|--------------------------|--|
| Part No. | Description |
| P005765 | Faceplate WRT (All Models) |
| P005479 | Handset Shell – C/W 22" Armored Cord |
| P005477 | Handset Shell Only – For WRT-10 & WRT-30 |
| P002554 | Cord – Handset 4' |
| P005961 | Handset Cradle – C/W Reed Switch |
| P004371 | Handset Retainer – WRT-40 Only |
| P000028 | Microphone Cartridge – Noise Reducing |
| P004538 | Microphone Cartridge – Noise Canceling |
| P002080 | Receiver Cartridge |
| P005391 | Handset Assembly – C/W 4' Coil Cord For WRT-10 & WRT-30 |
| P002657 | Handset Assembly – For WRT-20 |
| P005699 | Handset Assembly – C/W 22" Armored Cord For WRT-40 |
| P005786 | Keypad Assembly Plastic – C/W Telephone Circuit Board For WRT-10 |
| P005582 | Telephone Circuit Board |
| P000907 | Keypad Cover – Teleseal For WRT-10 |
| P006295 | Keypad – Metal For WRT-30 & WRT-40 |
| P006246 | Universal Mounting Bracket 70 Series |
| P002782 | Ringer – Floyd Bell BR-3-39 |
| P005917 | Reed Switch |
| P002992 | Surge Arrestor – TII 126L1 |
| P002991 | Fuse – Glass 0.25 Amp 250V |
| P000126 | Housing |
| P003045 | Backplate |
| P002988 | Door C/W Velcro Latch |
| P001706 | Hinge Pin – 8.390 Nylon |
| P001488 | Door Spring |
| P002995 | Hinge Pin Retaining Ring |

Government Certification

Attached to the telephone are labels for *Industry Canada* and the *United States Federal Communications Commission*. These identify equipment certifications indicating the 60 and 70 series telephones meet certain telecommunications network protective, operational and safety requirements. These agencies do not guarantee the equipment will operate to the user's satisfaction.

Before installing this telephone equipment, users should ensure it is permissible to connect the equipment to facilities of the local telecommunications company.

Equipment must be installed using acceptable connection methods. In some cases, the telephone users inside wiring, associated with a single line service, may be extended by a certified connector assembly (telephone extension cord). The customer should be aware that in some situations compliance with the above conditions may not prevent degradation of service.

Repairs to certified equipment should be made by a supplier designated authorized maintenance facility.

For their own protection users should ensure the electrical ground connections of the power utility, telephone lines and internal metallic water pipe systems, if present, are connected. This precaution may be particularly important in rural areas.

CAUTION: Users should not attempt to make ground connections, but should contact the appropriate electrical inspection authority or electrician.

Load Number (LN)

The Load Number (LN) assigned to each terminal device denotes the percentage of the total load to be connected to a telephone loop used by the device. Termination on a loop may consist of any combination of devices subject only to the requirement that the total of the Load Numbers of all the devices does not exceed 100.

Notification to Telephone Company

Upon request, the customer must notify the telephone company of the particular line to which the connection will be made and provide the Industry Canada or FCC registration number. The local telephone company may request disconnection of the telephone where alterations or malfunctions affect the telephone's performance.

United States Federal Communications Commission

This equipment generates, uses and can radiate radio frequency energy, and if not installed and used in accordance with the instruction manual, may cause interference to radio communications. It has been tested and found to comply with the limits for Class A computing device pursuant to Subpart J of Part 15 of FCC rules, which are designed to provide reasonable protection against such interference when operated in a commercial environment. Operation of this equipment in a residential area is likely to cause interference in which case the user, at his own expense, will be required to take whatever measures may be required to correct the interference.

Interference

There is no guarantee that interference will not occur in a particular installation. If interference to radio or television reception from this equipment is suspected, proceed as follows:

1. Unplug the set, check for the interference.
2. Re-orient the receiving antenna.
3. Relocate the set with respect to the receiver.
4. Move the set away from the receiver.

If necessary, consult the supplier or an experienced radio/television technician for additional suggestions.

FCC Rules and Ringer Equivalence Number

This equipment complies with Part 68 of the FCC Rules. On the side of this equipment is a label that contains, among other information, the FCC registration number and ringer equivalence number (REN) for this equipment. If requested, this information must be provided to the telephone company.

The REN is used to determine the quantity of devices which may be connected to the telephone line. Excessive RENs on the telephone line may result in the devices not ringing in response to an incoming call. In most, but not all areas, the sum of the RENs should not exceed five. To be certain of the number of devices that may be connected to the line, as determined by the total RENs, contact the telephone company to determine the maximum REN for the calling area.

Service changes and Limitations

The telephone company may make changes in its facilities, equipment, operations, or procedures that could affect the operation of the equipment. If this happens, the telephone company will provide advance notice in order for you to make the necessary modifications in order to maintain uninterrupted service.

This equipment cannot be used on public coin telephone service as provided by your telephone company. Connection to party line service is subject to state tariffs (contact the state public utility commission, public service commission or corporate commission for information.)

Warranty

Guardian Telecom warrants your product to be free of defects in material and workmanship for a period of one year. Guardian Telecom will repair or replace any defective unit that is under warranty free of charge.

This warranty is null and void if any non-authorized modifications have been made to this product, or if it has been subjected to misuse, neglect, or accident. This warranty covers bench repairs only; such repairs must be made at Guardian Telecom or an authorized service depot. Guardian Telecom is not responsible for costs incurred for on-site service calls, freight, or brokerage.

A return authorization must be obtained prior to warranty claims or repairs.

Disclaimer

The products covered by this manual are designed for use in Industrial Environments and/or Hazardous Locations. Due to the range of possible applications for these instruments the manufacturer will not be responsible for damages or losses of any kind suffered as a result of the use of this product, including consequential damages.

Warning

This device may be opened and reassembled by qualified personnel only, for the purposes of installing the product, making adjustments and replacing components, following the instructions in the product manual.

High voltages may be present in this product when connected to telephone wiring.

Service Telephone Number

1-800-363-8010

Guardian Telecom provides a customer service telephone number which is toll-free within North America. If you need assistance when installing or operating this product, please call the toll-free telephone number between regular business hours (8:00AM-5:00PM), Mountain Standard Time. If you are calling outside of regular business hours, please leave a detailed message, and a member of Guardian Telecom's Service Department will return your call as soon as possible. If your product requires service, Guardian personnel will supply you with an RMA (return materials authorization) number over the telephone or through our web site product return page. This number must be included with your return address and the name of the person to contact.

Guardian Telecom, A Division of Circa Enterprises Inc.

Toll-free 1-800-363-8010

Ph. (403) 258-3100

Fax. (403) 253-4967

www.guardiantelecom.com

Feedback

Guardian Telecom continually strives to make reliable, durable, and easy to use products. If you, as an installer or user of our equipment, have any suggestions for improvements to this or any of our products or documents, including this manual, we would appreciate hearing from you.

| Guardian Product Return |
|---|
| Guardian products have been quality tested and are in full working order when shipped from the factory, given the rugged nature of these products shipping is not expected to damage a unit. In the unlikely event of a malfunction Guardian follows the three step procedure below. |
| <i>Step I - On-Site Correction</i> |
| <ul style="list-style-type: none"> • The most common source of difficulties with a new product is improper installation in one of two ways: incorrect wiring connections or connection to an incorrect power source. |
| <ul style="list-style-type: none"> • Product wiring needs to be properly connected to the on-site wiring. Correct wiring instructions are shown in the user manual included with the product. |
| <ul style="list-style-type: none"> • Connecting a telephone to a standard power source, rather than tip & ring, will blow the telephone's internal, user-replaceable fuse. In the event of fuse burn-out, disconnect the telephone from the power source, replace the fuse, and reconnect following the wiring diagrams provided with the product. |
| <i>Step II - Return Materials Authorization (RMA)</i> |
| <ul style="list-style-type: none"> • When a product has been installed following user manual instructions, and the unit fails to operate, the user must contact Guardian Telecom to obtain authorization to return the product. This can be done by completing an RMA form online at https://www.guardiantelecom.com/support/rma/, or by calling the service telephone number given in this manual. |
| <ul style="list-style-type: none"> • After providing information on the product, the owner and the nature of the problem, Guardian will issue a RMA number, to be shown on documentation returned with the product. |
| <ul style="list-style-type: none"> • In addition to the RMA number, shipping documents should include name, address and telephone number of the owner along with contact information for the person responsible for the repair and/or the user who identified the malfunction. |
| <ul style="list-style-type: none"> • (Where a product is being returned for repair from outside of Canada, customs documentation must show the product's serial number, date of export [date of purchase], and a notation that the equipment is: "Canadian goods returning.") |
| <i>Step III - Factory Authorized Service</i> |
| <ul style="list-style-type: none"> • Once received, each product is carefully inspected and tested. If the product is under warranty, repairs are completed and the product returned to the owner, generally within five working days of receipt by the factory. |
| <ul style="list-style-type: none"> • A product that has been subjected to misuse, neglect or accident or is beyond the warranty period will be evaluated. The service department will provide the owner's representative with a repair cost estimate. Once approved, repairs are completed and the product returned, generally within five working days. |

Cleaning Tips for Guardian Telephones

Guardian Telephones may occasionally need to be cleaned to maintain appearance. Generally, wiping the surface with a clean, water dampened cloth will remove most films or residues. If the soiling is too stubborn for plain water, a mild detergent solution may be used. Be sure to wipe away any detergent residue with a plain water dampened cloth. The Telephone may be cleaned with any general-purpose household glass and surface type cleaner. Do not spray the telephone directly! Spray the cleaner on a soft cloth then wipe the surface. Pre-treated cloths, such as those used for eyeglasses or cameras, may be used to clean the Telephone. Premoistened towelettes may also be used, however, avoid those containing lanolin or aloe as they will leave a slippery residue. The handset and surface of the telephone may be cleaned with disinfectants used for general cleaning in a medical environment. Isopropyl alcohol may be used applied with a cloth. Avoid using alcohol on silicon based keypads, since doing so may significantly degrade legibility.

- Do not use furniture polishes, waxes or plasticizer-based cleaner (Armor All etc.)
- Do not use lanolin, aloe, glycerin or other skin care type products.
- Do not apply any solvent such as acetone, mineral spirits etc.
- Do not directly spray or immerse the handset.

Storage

General Storage (All situations):

- Note any stacking limits or warnings on packaging (if any).
- Do not store in temperatures over +80C.
- Store in original packaging if possible until needed.

Long Term Storage (> 6 Months):

- If area is air conditioned and not subject to high changes in humidity, continue to store in original packaging.
- If wide humidity shifts are expected, then use these steps:
 - Remove product from packaging (including plastic bags) and store on shelf in open air.
 - If area is subject to a high degree of dust, to help maintain cosmetic appearance you can cover with cloth (Do not cover with plastic or materials that will trap moisture) or clean periodically.
 - Do not store out of packaging long term where they are exposed to sunlight. Long term exposure to UV may cause fading on plastic parts.

THIS PAGE INTENTIONALLY LEFT BLANK

THIS PAGE INTENTIONALLY LEFT BLANK



Guardian Telecom, A Division of Circa Enterprises Inc.

Toll-free 1-800-363-8010

Phone (403) 258-3100

Fax. (403) 253-4967

www.guardiantelecom.com

E-mail: sales@guardiantelecom.com

(Click to open message box)

Tough. Tested. True.

© Guardian Telecom 2018