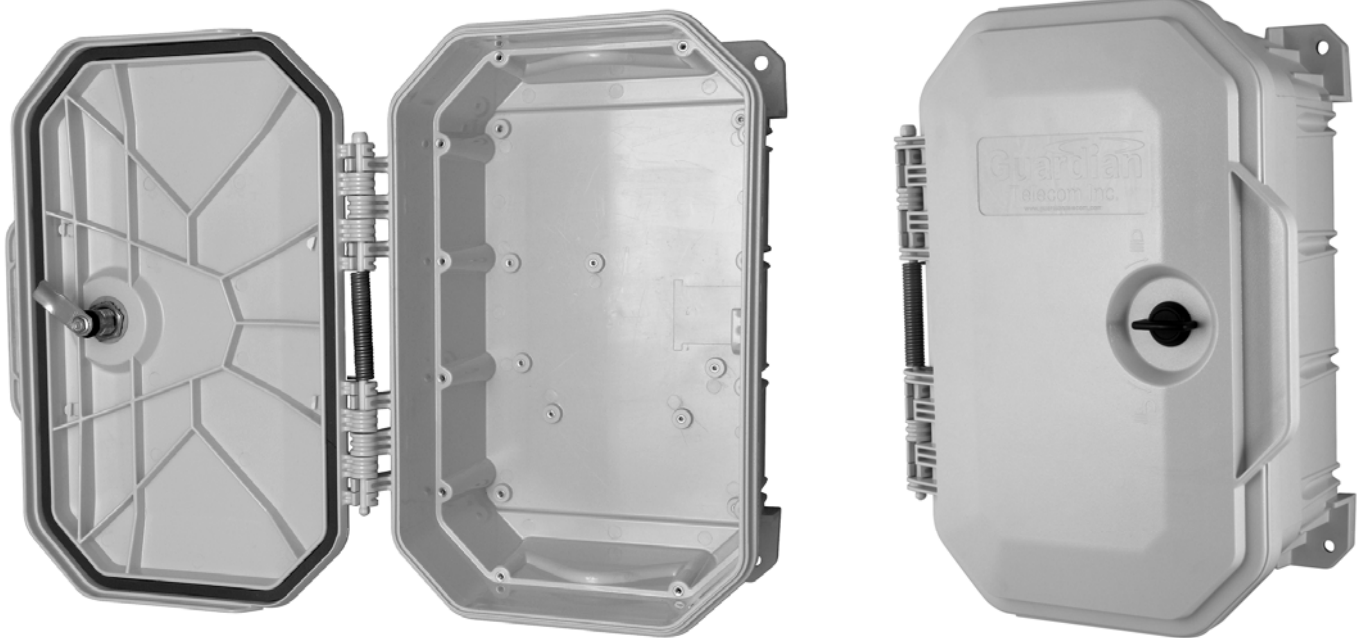


# WTE-100 Weather Tight Instrument Enclosure

## Installation



P006632 Rev. B 151202 12/2/2015 11:02 AM

## Table of Contents

Package Contents .....2  
 Models and Options .....2  
 Overview .....3  
 Features .....3  
 Installation .....6  
 Cleaning Tips .....6  
 Engineering Specifications .....7  
 Replacement Parts .....7  
 Warranty .....8  
 Disclaimer .....8  
 Warning .....8  
 Service Telephone Number .....8  
 Feedback .....8  
 Guardian Product Return .....9

## Table of Figures

Figure 1 - Internal Dimensions & Instrument Mounting Options ..... 4  
 Figure 2 - External Dimensions & Mounting ..... 5  
 Figure 3 - Faceplate Installation ..... 5

## Package Contents

- One (1) WTE-100 Instrument Enclosure
- Two (2) keys (if locking model)
- One (1) Installation Manual

## Models and Options

Part No.	Description
P5025	Enclosure with non-locking latch
LCK-WTE	Locking door
VR-WTE	12 Vandal Resistant Screws With Driver Bit For Upper Plate
OA-FP-WTE	Upper internal mounting plate with fasteners
OA-BP-WTE	Lower internal mounting plate with fasteners

## Overview

### *WTE-100 Instrument Enclosures*

Guardian's WTE-100 Vandal & Weather Resistant Instrument Enclosures are designed to withstand extreme environmental conditions. A wide variety of electronic instruments may be mounted in these enclosures where they will be protected from corrosive elements such as rain, salt spray, chemicals, desert dust and tropical humidity.

### Features

#### ***Construction***

- lightweight yet highly durable Thermoplastic Resin
- lid reinforced with ribs for additional strength
- closed cell neoprene gasket provides a water tight seal

#### ***Latch***

- spring-loaded enclosure door with non-locking, vise action mechanical latch ensures a consistent seal when closed
- optional key lockable latch available

#### ***Cable Entrances***

- dimples for up to three 1" (25.4 mm) openings to and bottom - drill to suit

#### ***Mounting***

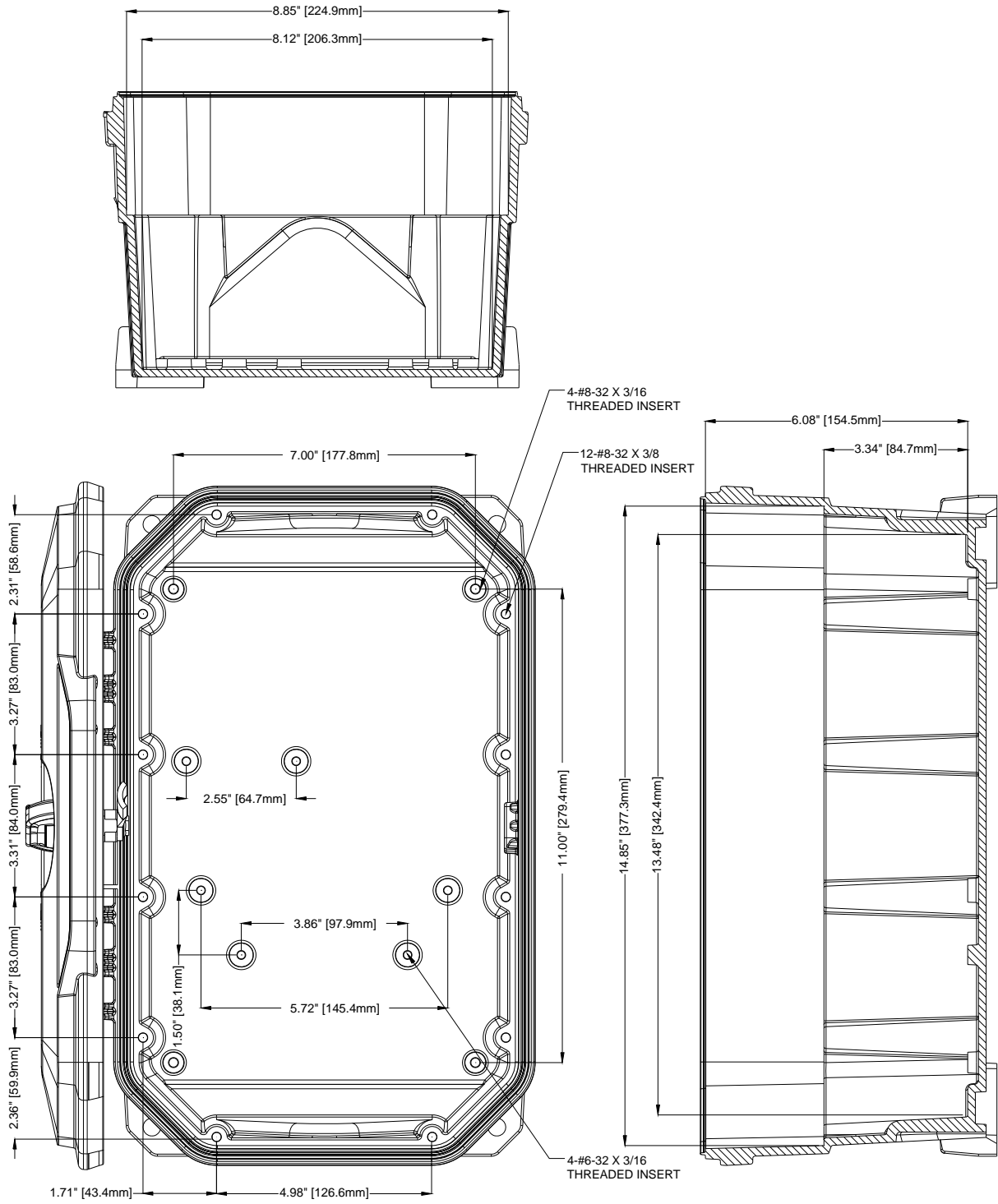
- wall mounting with integral feet

#### ***Internal Layout***

- internal equipment mounting surfaces
- stock or custom internal mounting plates and back pans are available

#### ***Logo***

- optional flat label area or custom embossed logo



**Figure 1 - Internal Dimensions & Instrument Mounting Options**

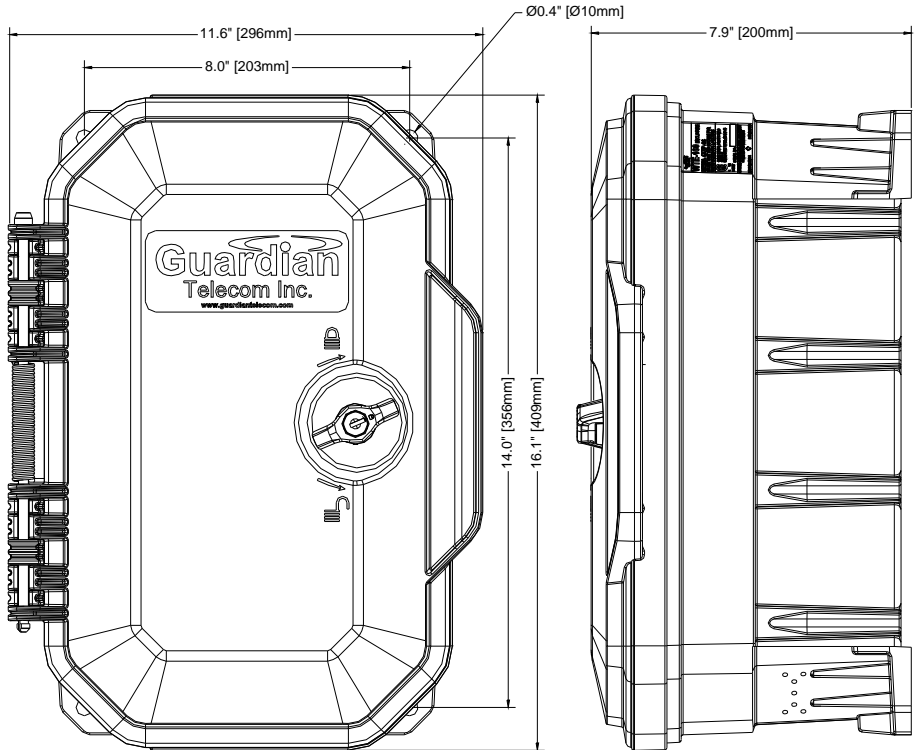


Figure 2 - External Dimensions & Mounting

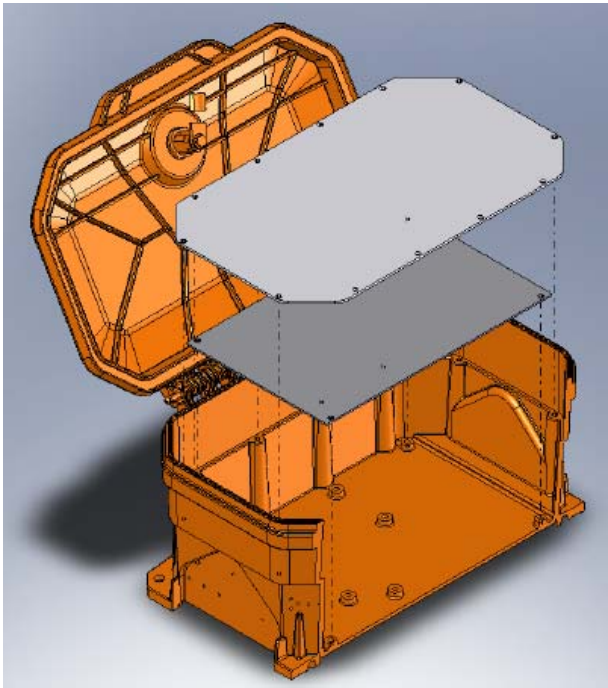


Figure 3 - Faceplate Installation

### Installation

**WARNING** - high voltages may be present in this equipment when it is connected to a power source.

- Follow all appropriate electrical codes and use only approved electrical fittings for the installation.

**Note: If the component installed in the enclosure causes overheating contact Guardian's service department for assistance in correcting the problem.**

- For cable entrances drill up to 1" (25.4 mm) holes.
- Install suitable fittings in the cable entrances.
- Choose a wall location that is free of obstructions and permits space for conduit or wire.
- Ensure mounting can support the weight of the enclosure with instrumentation installed and any additional foreseeable load.
- Determine how the component is to be mounted in the enclosure.
- Use the template provided or the housing itself to locate and drill holes for mounting screws.
- Secure the unit to the wall.
- Ensure that none of the electrical connection circuits are live.
- Bring cable(s) into the enclosure through the cable entrance(s), attach wiring to the instrument or device and secure it to the inserts provided.
- Ensure all connections are secure.

*Tip: There are three drill dimples on top and bottom.*

*See: Figure 2 - External Dimensions & Mounting*

*See: Figure 1 - Internal Dimensions & Instrument Mounting Options*

### Cleaning Tips

Your WTE-100 Enclosure may occasionally need to be cleaned to maintain appearance. Generally, wiping the surface with a clean, water dampened cloth will remove most films or residues. If the soiling is too stubborn for plain water, a mild detergent solution may be used. Be sure to wipe away any detergent residue with a plain water dampened cloth. The Enclosure may be cleaned with any general-purpose household glass and surface type cleaner. Do not spray the Enclosure directly! Spray the cleaner on a soft cloth then wipe the surface. Pre-treated cloths, like those used for eyeglasses or cameras, may be used to clean the Enclosure. Premoistened towelettes may also be used, however, avoid those containing lanolin or aloe as they will leave a slippery residue. The surface of the Enclosure may be cleaned with disinfectants used for general cleaning in a medical environment. Isopropyl alcohol may be used applied with a cloth.

- Do not use furniture polishes, waxes or plasticizer-based cleaner (ArmorAll etc.)
- Do not use lanolin, aloe, glycerin or other skin care type products.
- Do not apply any solvent such as acetone, mineral spirits etc.

<b>Product Specifications</b>	
<b>MECHANICAL</b>	
CONSTRUCTION	Lightweight Yet Highly Durable Thermoplastic Resin
EXTERNAL DIMENSIONS (H x W x D)	16.1 x 11.6 x 7.9 INCHES (409 x 296 x 200 MM)
INTERNAL DIMENSIONS (H x W x D)	14.8 x 8.8 x 6.1 INCHES (377 x 224 x 154 MM)
NET WEIGHT	6.6 LBS (3 KG)
COLOR	YELLOW (OTHER COLORS AVAILABLE ON SPECIAL ORDER)
<b>ENVIRONMENTAL</b>	
WEATHER TIGHT	ENCLOSURE TYPE 4X & IP66
TEMPERATURE RATING	-31° to +176°F (-35° to +80°C)
<b>COMPLIANCE</b>	
CSA 'C' & 'US'	CLASS I, DIV. 2, GROUPS A, B, C & D
	CLASS II, DIV. 1 & 2, GROUPS E, F & G
	CLASS III
	ENCLOSURE TYPE 4X AND IP-66
NOTE: THE ABOVE ENCLOSURES ARE COMPONENTS FOR USE WITH SUBMITTERS LINE OF EQUIPMENT. SUITABILITY TO BE DETERMINED IN THE END USE APPLICATION.	

<b>Replacement Parts</b>	
<b>Part No.</b>	<b>Description</b>
P006442	Housing – Thermoplastic Resin
P006441	Door – WTE-100
P006549	Door Gasket
P006440	Pin – Door Hinge
P006439	Spring – Water Tight Door SS Type 17-7
P006460	Latch – Non-locking
P006461	Latch – Locking
P006462	Latch Gasket
P007006	Front Blank Faceplate
P007005	Rear Blank Faceplate

### **Warranty**

Guardian Telecom warrants your product to be free of defects in material and workmanship for a period of one year. Guardian Telecom will repair or replace any defective unit that is under warranty free of charge.

This warranty is null and void if any non-authorized modifications have been made to this product, or if it has been subjected to misuse, neglect, or accident. This warranty covers bench repairs only; such repairs must be made at Guardian Telecom or an authorized service depot. Guardian Telecom is not responsible for costs incurred for on-site service calls, freight, or brokerage.

***A return authorization must be obtained prior to warranty claims or repairs.***

### **Disclaimer**

The products covered by this manual are designed for use in Industrial Environments and/or Hazardous Locations. Due to the range of possible applications for these products the manufacturer will not be responsible for damages or losses of any kind suffered as a result of the use of this product, including consequential damages.

### **Warning**

**High voltages may be present in this product, ensure that power is removed before installing, performing maintenance or making repairs.**

### **Service Telephone Number**

#### ***1-800-363-8010 Toll Free in North America***

Guardian Telecom provides a customer service telephone number which is toll-free within North America. If you need assistance when installing or operating this product, please call the toll-free telephone number between regular business hours (7:30AM-5:00PM), Mountain Standard Time. If you are calling outside of regular business hours, please leave a detailed message, and a member of Guardian Telecom's Service Department will return your call as soon as possible. If your product requires service, Guardian personnel will supply you with an RMA (return materials authorization) number over the telephone or through our web site product return page. This number must be included with your return address and the name of the person to contact.

**Guardian Telecom Inc.  
Toll-free 1-800-363-8010  
Ph. (403) 258-3100  
Fax. (403) 253-4967  
[www.guardiantelecom.com](http://www.guardiantelecom.com)**

### **Feedback**

Guardian Telecom continually strives to make reliable, durable, and easy to use products. If you, as an installer or user of our equipment, have any suggestions for improvements to this or any of our products or documents, including this manual, we would appreciate hearing from you.



<b>Guardian Product Return</b>
Guardian products have been quality tested and are in full working order when shipped from the factory, given the rugged nature of these products shipping is not expected to damage a unit. In the unlikely event of a malfunction Guardian follows the three step procedure below.
<b>Step I - On-Site Correction</b>
<ul style="list-style-type: none"><li>• The most common source of difficulties with a new product is improper installation. Ensure that installation is performed following the instructions in this manual.</li></ul>
<b>Step II - Return Materials Authorization (RMA)</b>
<ul style="list-style-type: none"><li>• When this product has been installed following user manual instructions and fails to perform satisfactorily, the user must contact Guardian Telecom to obtain authorization to return the product. This can be done by completing a RMA form online at <a href="http://www.guardiantelecom.com">www.guardiantelecom.com</a>, or by calling the service telephone number given in this manual.</li></ul>
<ul style="list-style-type: none"><li>• After providing information on the product, the owner and the nature of the problem, Guardian will issue a RMA number, to be shown on documentation returned with the product.</li></ul>
<ul style="list-style-type: none"><li>• In addition to the RMA number, shipping documents should include name, address and telephone number of the owner along with contact information for the person responsible for the repair and/or the user who identified the malfunction.</li></ul>
<ul style="list-style-type: none"><li>• (Where a product is being returned for repair from outside of Canada, customs documentation must show the product's serial number, date of export [date of purchase], and a notation that the equipment is: "Canadian goods returning.")</li></ul>
<b>Step III - Factory Authorized Service</b>
<ul style="list-style-type: none"><li>• Once received, each product is carefully inspected and tested. If the product is under warranty, repairs are completed and the product returned to the owner, generally within five working days of receipt by the factory.</li></ul>
<ul style="list-style-type: none"><li>• A product that has been subjected to misuse, neglect or accident or is beyond the warranty period will be evaluated. The service department will provide the owner's representative with a repair cost estimate. Once approved, repairs are completed and the product returned, generally within five working days.</li></ul>

**Notes:**

Model No.
Part No.
Serial No.
Date of Purchase

**THIS PAGE INTENTIONALLY LEFT BLANK**



**Guardian Telecom Inc.**  
**Toll-free 1-800-363-8010**  
**Phone (403) 258-3100**  
**Fax. (403) 253-4967**  
**www.guardiantelecom.com**  
**E-mail: [sales@guardiantelecom.com](mailto:sales@guardiantelecom.com)**  
*(Click to open message box)*

***CONNECTED. PROTECTED.***

© Guardian Telecom Inc. 2015