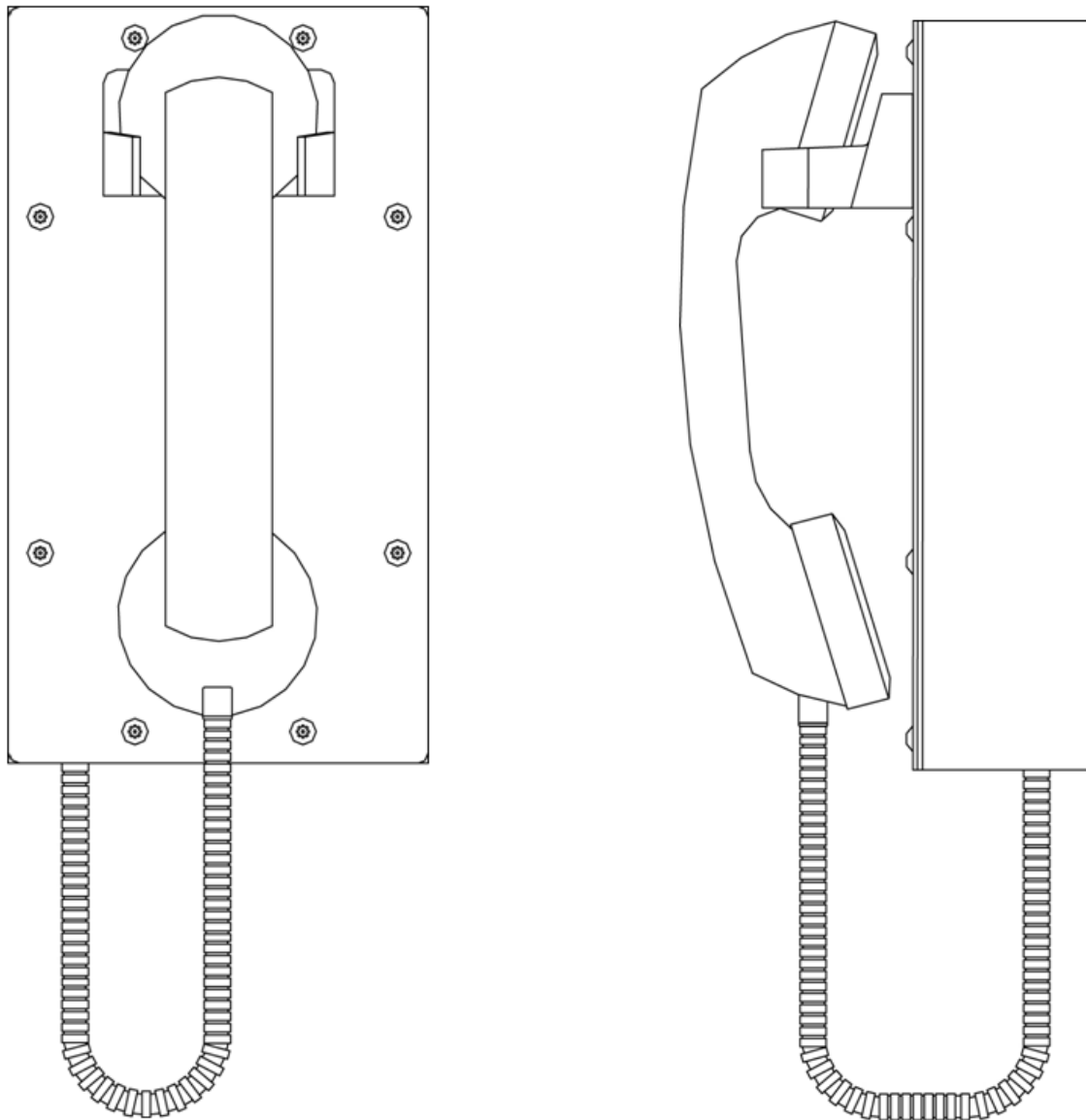


Correctional Institute Ringdown Telephone Model CIR-41

Installation & Operation



P005722 Rev. C 141222 12/22/2014 12:32 PM

Table of Contents

Package Contents	2
Overview	3
Features	3
Installing the CIR-41	6
Operating the CIR-41	6
Engineering Specifications	7
Warranty.....	8
Disclaimer	8
Warning.....	8
Service Telephone Number	8
Feedback	8
Guardian Product Return.....	9

Table of Figures

Figure 1 - Features.....	4
Figure 2 - Dimensions	4
Figure 3 - Mounting	5
Figure 4 - Electrical Connections.....	5

Package Contents

- (1) CIR-41 Telephone
- (1) Installation & Operation Manual
- (1) Tamper Resistant Screw Driver Bit

Overview

CIR-41 Correctional Institute Ringdown Telephone

The CIR-41 is a rugged, ringdown telephone designed to provide safe and reliable communication in locations prone to abuse and vandalism. Calls may be received on this telephone however outgoing calls will only be connected to a single number – if the PABX is programmed to perform this function or if a Guardian AD-10 Autodialer is installed and programmed.

Features

Enclosure and Faceplate

- 16 AWG steel, zinc dichromate plated and powder coated, faceplate secured with vandal resistant screws.

Handset

- high impact ABS with locked on caps

Hook Switch

- magnetic reed hook switch, no moving parts

Surge Arrestor and Fuse

- prevents damage to the electronic circuits in the event of a high voltage spike on the telephone line

Noise Reducing Microphone

- aids in clarity of transmission in noisy areas

Armored Handset Cord

- withstands vandalism and severe use

Hearing-Aid Compatible

- compatible with inductively coupled hearing-aid devices

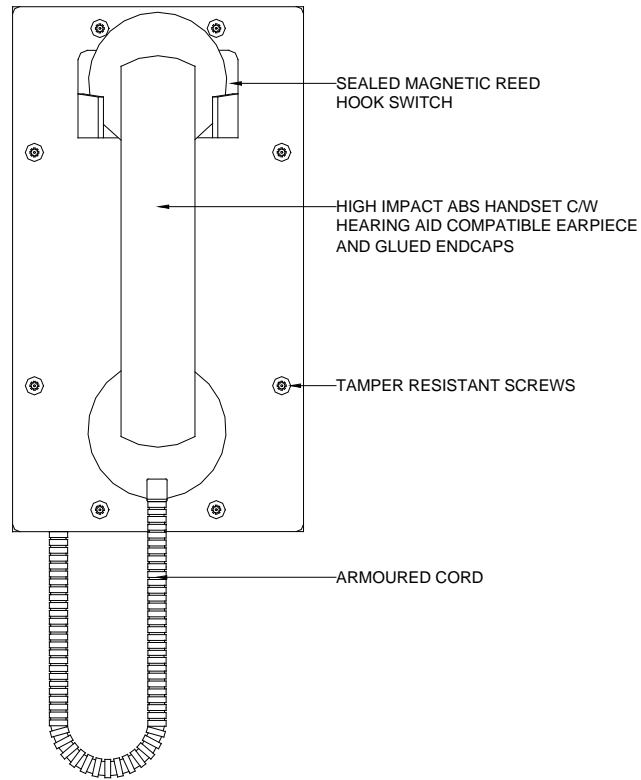


Figure 1 - Features

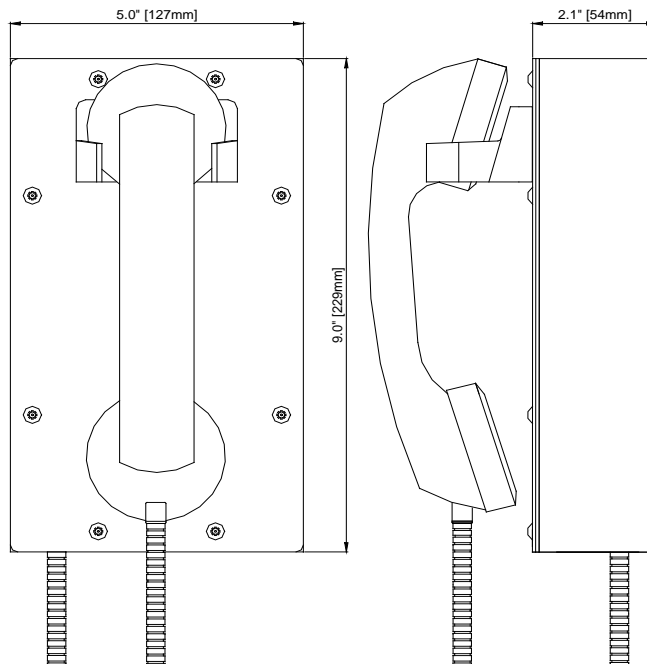


Figure 2 - Dimensions

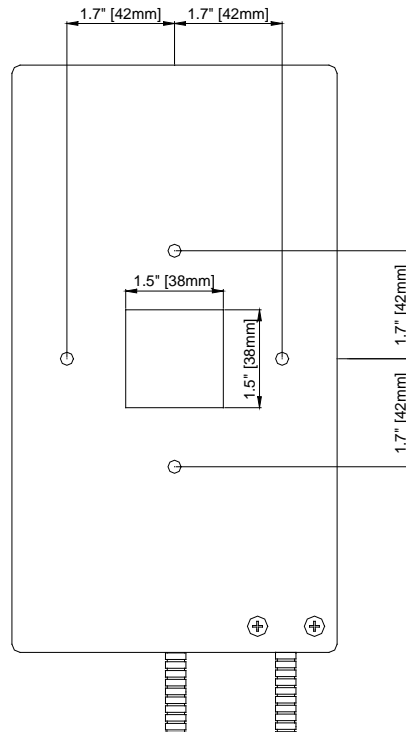


Figure 3 - Mounting

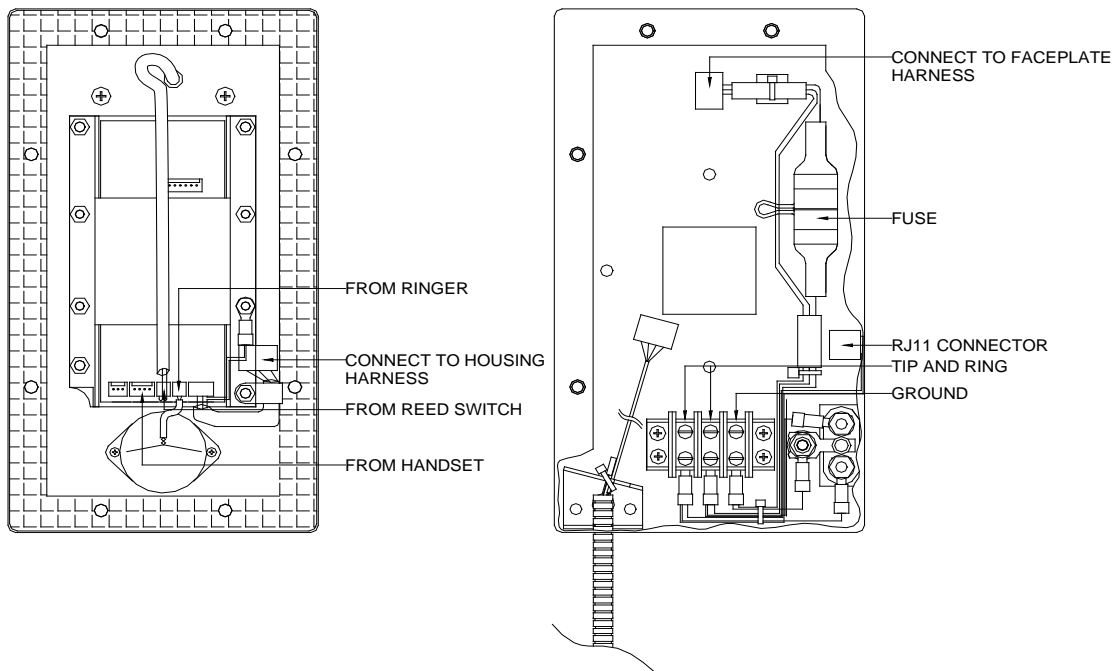


Figure 4 - Electrical Connections

Installing the CIR-41

- Follow all appropriate electrical codes and use only approved electrical fittings for the installation.
- Choose a wall location that is free of obstructions and permits space for cable or conduit runs.
- Ensure mounting can support 4lbs (1.8kg) and any additional load to which the telephone may be subjected.
- Ensure that none of the electrical connection circuits are live.
- Bring Tip, Ring and Ground wiring to the location where the wiring access opening in the back of the CIR-41 will be when the telephone is installed.
- Remove the eight (8) cover screws from the front of the unit and carefully remove the front cover assembly. NOTE that the handset and all electronics are attached to the front plate. The front cover may be separated from the back box by disconnecting the harness plug.
- Use the enclosure as a template to locate and drill holes for #8 or M4 mounting screws or other suitable attachments.
- Feed Tip, Ring and Ground wiring through the wiring access opening and secure the unit to the wall.
- Attach individual wires from the exchange (Tip/Ring/Ground) to the terminal strip (Tip & Ring are not polarity sensitive), or plug the RJ11 connector into the socket if this termination method was chosen. Even if an RJ11 connector is used an approved earth ground must still be provided to the ground connection on the terminal strip.
- Ensure all connections are tight, then replace and secure the cover.
- Connect the telephone into the system.
- Test the unit by calling to and from another unit on the exchange.

See: Figure 2 - Dimensions

Tip: The CIR-41 may be wired directly to the terminal block or an RJ11 connector may be used.

Tip: Use the driver bit provided to remove the tamper resistant screws.

See: Figure 3 - Mounting

See: Figure 3 - Mounting

Note: An approved earth ground must be connected to the ground position on the terminal strip regardless of Tip and Ring wiring method.

Operating the CIR-41

- The CIR-41 Autodialer phone is designed for receiving calls and for connecting to a single number – if the PABX is programmed to perform this function. Calling out is automatic simply by removing the handset from the cradle.

Engineering Specifications	
<i>ELECTRICAL PERFORMANCE</i>	
AUDIBLE RANGE FREQUENCY RESPONSE	300 – 3400 HZ
TRANSMIT OBJECTIVE LOUDNESS RATING (TOLR)	-38 +/- 3 dB
RECEIVE OBJECTIVE LOUDNESS RATING (ROLR)	TYPICAL 50 +/- 3 dB
SIDE TONE OBJECTIVE LOUDNESS RATING (SOLR)	TYPICAL 11 +/- 3 dB
RINGER OUTPUT	75 dB MAX
FCC RINGER EQUIVALENCE	0.8B
SET IMPEDANCE	600 OHMS NOMINAL
MAXIMUM LOOP	15,000 FT (4,600 M) OF 22 AWG COPPER
<i>ELECTRICAL REQUIREMENTS</i>	
RINGER SENSITIVITY	40 – 100 V, 16 – 25 HZ
LINE VOLTAGE	24 – 56 VDC
LOOP CURRENT	20 - 120 MA
CONNECTION METHOD	TERMINAL STRIP OR RJ11 CONNECTOR
<i>ENVIRONMENTAL</i>	
TEMPERATURE	-40° TO +60° C (-40° TO +140° F)
HUMIDITY	0 TO 95% RH
DUSTPROOF	FULL ENCLOSURE GASKET
<i>MECHANICAL</i>	
HOOK SWITCH (CRADLE SWITCH) LIFE	>1 000 000 OPERATIONS
BODY AND FACEPLATE CONSTRUCTION	16 GAUGE STEEL, ZINC DICHROMATE PLATED AND POWDER COATED
DIMENSIONS (H X W X D)	9 X 5 X 5.2 INCHES (229 X 127 X 132 MM)
NET WEIGHT	5 LBS (2.3 KG)
HANDSET MATERIAL	HIGH IMPACT ABS
MICROPHONE	NOISE REDUCING ELECTRET
OPTIONAL MICROPHONE	NOISE CANCELING DYNAMIC
RECEIVER	HEARING AID COMPATIBLE
STANDARD MOUNTING	VERTICAL WALL
WIRING ACCESS	REAR OPENING 1.5 X 1.5 INCHES (38 X 38 MM)
HARDWARE MATERIAL	STAINLESS STEEL

Warranty

Guardian Telecom warrants your product to be free of defects in material and workmanship for a period of one year. Guardian Telecom will repair or replace any defective unit that is under warranty. This warranty is null and void if any non-authorized modifications have been made to this product, or if it has been subjected to misuse, neglect, or accident. This warranty covers bench repairs only; such repairs must be made at Guardian Telecom or an authorized service depot. Guardian Telecom is not responsible for costs incurred for on-site service calls, freight, or brokerage. A return authorization must be obtained prior to warranty claims or repairs.

Disclaimer

The products covered by this manual are designed for use in Industrial Environments and/or Hazardous Locations. Due to the range of possible applications for these instruments the manufacturer will not be responsible for damages or losses of any kind suffered as a result of the use of this product, including consequential damages.

Warning

This device may be opened and reassembled by qualified personnel only, for the purposes of installing the product and replacing fuses, following the instructions in the product manual.

High voltages may be present in this product when connected to telephone wiring.

Service Telephone Number

1-800-363-8010

Guardian Telecom provides a customer service telephone number which is toll-free within North America. If you need assistance when installing or operating this product, please call the toll-free telephone number between regular business hours (8:00AM-5:00PM), Mountain Standard Time. If you are calling outside of regular business hours, please leave a detailed message, and a member of Guardian Telecom's Service Department will return your call as soon as possible. If your product requires service, Guardian personnel will supply you with an RMA (return materials authorization) number over the telephone or through our web site product return page. This number must be included with your return address and the name of the person to contact.

Guardian Telecom Inc.

Toll-free 1-800-363-8010

Ph. (403) 258-3100

Fax. (403) 253-4967

www.guardiantelecom.com

E-mail: <mailto:sales@guardiantelecom.com>

Feedback

Guardian Telecom continually strives to make reliable, durable, and easy to use products. If you, as an installer or user of our equipment, have any suggestions for improvements to this or any of our products or documents, including this manual, we would appreciate hearing from you.

Guardian Product Return
Guardian products have been quality tested and are in full working order when shipped from the factory, given the rugged nature of these products shipping is not expected to damage a unit. In the unlikely event of a malfunction, Guardian follows the three step procedure below.
<i>Step I - On-Site Correction</i>
<ul style="list-style-type: none"> • The most common source of difficulties with a new product is improper installation in one of two ways: incorrect wiring connections or connection to an incorrect power source.
<ul style="list-style-type: none"> • Product wiring needs to be properly connected to the on-site wiring. Correct wiring instructions are shown in the user manual included with the product.
<ul style="list-style-type: none"> • Connecting a telephone to a standard power source, rather than tip & ring, will blow the telephone's internal, user-replaceable fuse. In the event of fuse burn-out, disconnect the telephone from the power source, replace the fuse, and reconnect following the wiring diagrams provided with the product.
<i>Step II - Return Materials Authorization (RMA)</i>
<ul style="list-style-type: none"> • When a product has been installed following user manual instructions, and the unit fails to operate, the user must contact Guardian Telecom to obtain authorization to return the product. This can be done by completing a RMA form online at www.guardiantelecom.com, or by calling the service telephone number given in this manual.
<ul style="list-style-type: none"> • After providing information on the product, the owner and the nature of the problem, Guardian will issue a RMA number, to be shown on documentation returned with the product.
<ul style="list-style-type: none"> • In addition to the RMA number, shipping documents should include name, address and telephone number of the owner along with contact information for the person responsible for the repair and/or the user who identified the malfunction.
<ul style="list-style-type: none"> • (Where a product is being returned for repair from outside of Canada, customs documentation must show the product's serial number, date of export [date of purchase], and a notation that the equipment is: "Canadian goods returning.")
<i>Step III - Factory Authorized Service</i>
<ul style="list-style-type: none"> • Once received, each product is carefully inspected and tested. If the product is under warranty, repairs are completed and the product returned to the owner, generally within five working days of receipt by the factory.
<ul style="list-style-type: none"> • A product that has been subjected to misuse, neglect or accident or is beyond the warranty period will be evaluated. The service department will provide the owner's representative with a repair cost estimate. Once approved, repairs are completed and the product returned, generally within five working days.

Notes:

Model No.
Part No.
Serial No.
Date of Purchase

THIS PAGE INTENTIONALLY LEFT BLANK



Guardian Telecom Inc.
Toll-free 1-800-363-8010
Phone (403) 258-3100
Fax. (403) 253-4967
www.guardiantelecom.com
E-mail: sales@guardiantelecom.com
(Click to open message box)

CONNECTED. PROTECTED.

© Guardian Telecom Inc. 2014