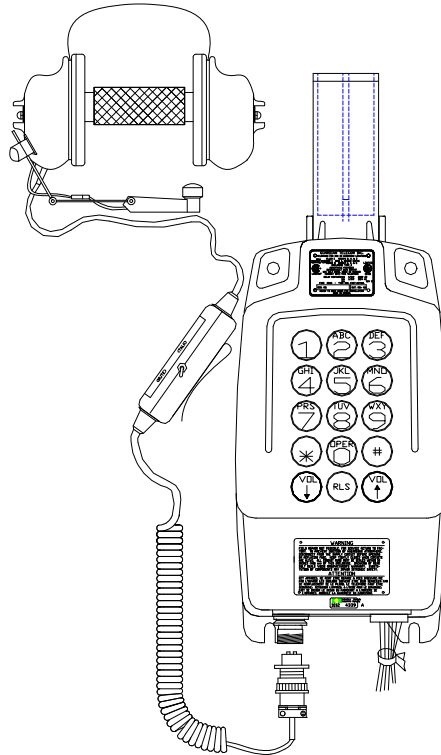


Intrinsically Safe EXT-401 Headset Kit

Installation



Field installation of an Intrinsically Safe EXT-401 Headset Kit onto a Guardian EXT-401 Explosion Proof Telephone replaces the original handset.

PART NO.	DESCRIPTION
P4042	Intrinsically Safe EXT-401 Headset Kit

IF YOU HAVE QUESTIONS CONCERNING THIS PRODUCT PLEASE CONTACT OUR SERVICE DEPARTMENT BY PHONE, TOLL FREE IN NORTH AMERICA 1-800-363-8010, AT 1-403-258-3100 OUTSIDE OF NORTH AMERICA OR BY E-MAIL AT THE ADDRESS SHOWN BELOW.

WARNING

- It is the responsibility of the end user to ensure that this product meets the requirements for the area in which it is to be installed and that it is installed according to local regulations.

Table of Figures

Figure 1 - Removing Handset Assembly 3
Figure 2 - Installing Hanger Assembly 3
Figure 3 - Connecting to Receptacle..... 3

Package Contents

QUANTITY	DESCRIPTION	PART NO.
1	Hanger C/W Hook Switch Magnet	P006428
1	Headset Hanger Bracket	P004420
1	ISH1125 Headset Assembly	P004035
2	Screws (#10-32 Flat Head)	P004063

Installing the Headset Kit

1. Check the package contents against the contents list to ensure that all parts are at hand.
2. Remove the handset by unscrewing the upper knurled connector collar then pulling the plug straight down.
3. Check the receptacle for damage or dirt, clean if necessary.
4. Remove the Philips screws from the two handset retainers and remove the retainers.
5. Remove the two setscrews from the upper surface of the enclosure using a 3/32" Allen key.
6. Install the bracket (P004420) to the top of the enclosure using the two screws supplied. **Do not deepen the holes in the enclosure since doing so would nullify the Hazardous Area Approval.**
7. Install the hanger (P006428) onto the bracket by snapping it into place.
8. Place the new headset on the hanger.
9. Align the slot on the plug shell with the key on the socket.
10. Screw the upper knurled collar into the socket. **Do not use a wrench to tighten the knurled collar.**
11. Test the installation by lifting the hanger up for off-hook and pulling down for on-hook.

See: Figure 1 - Removing Handset Assembly

See: Figure 2 - Installing Hanger Assembly

See: Figure 3 - Connecting To Receptacle

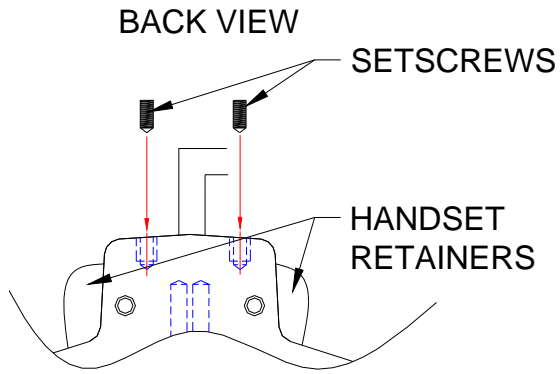


Figure 1 - Removing Handset Assembly

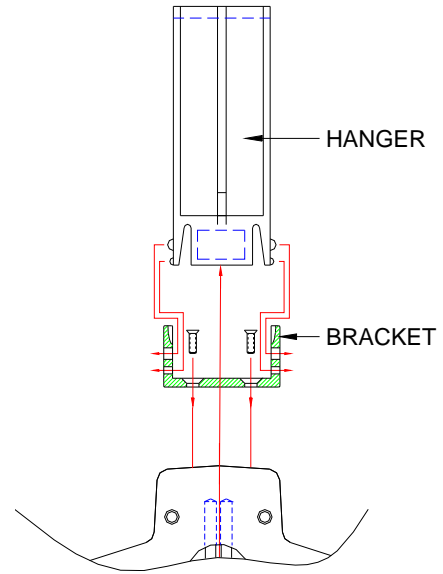


Figure 2 - Installing Hanger Assembly

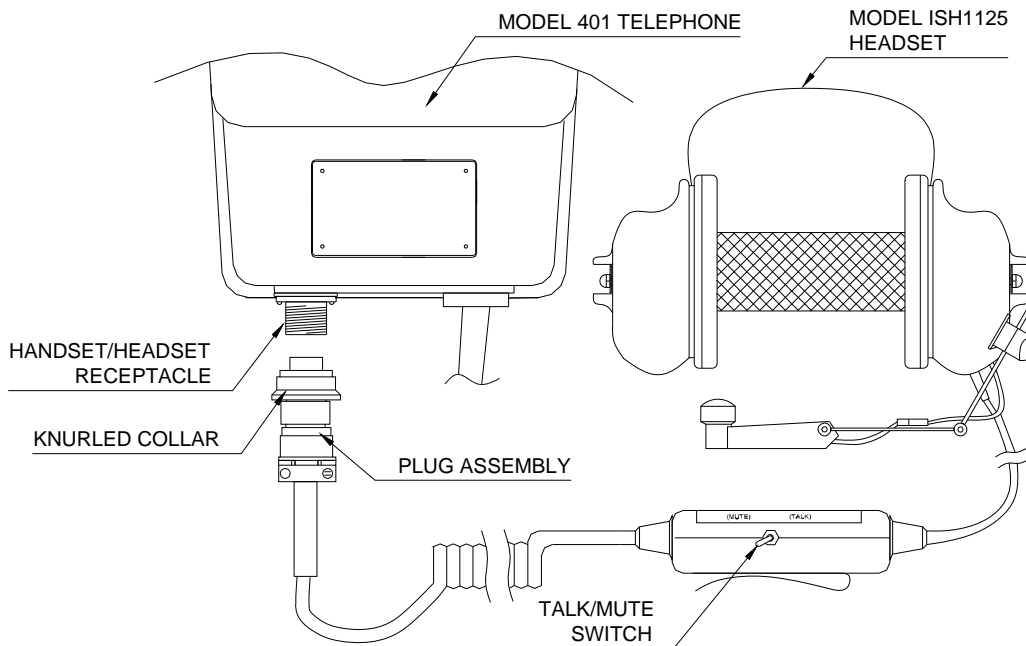


Figure 3 - Connecting To Receptacle

Operating Instructions

- Remove the headset and place it over the head; raise the hook switch arm to the off hook (vertical) position.
- Listen for a dial tone and then dial the appropriate digits for the feature desired.
- Ensure that the belt hook TALK/MUTE switch is in the TALK position. This switch does not affect voice reception or control on-hook/off-hook operation of the telephone.
- Upon completing a call return hook switch arm to the on-hook (horizontal position) and hang the headset on the arm.
- Calls are answered by lifting the hook switch arm.
- To make another call without returning the headset to the hook switch arm press the RLS (release) button.



Guardian Telecom Inc.
7552 - 10th Street N.E.
Calgary, Alberta, Canada T2E 8W1
Toll-free 1-800-363-8010
Ph. (403) 258-3100
Fax. (403) 253-4967
www.guardiantelecom.com
E-mail: <mailto:sales@guardiantelecom.com>
(Click to open message box)

Industrial Communications Worldwide